

Aerheat Electric Ladder Towel Rail

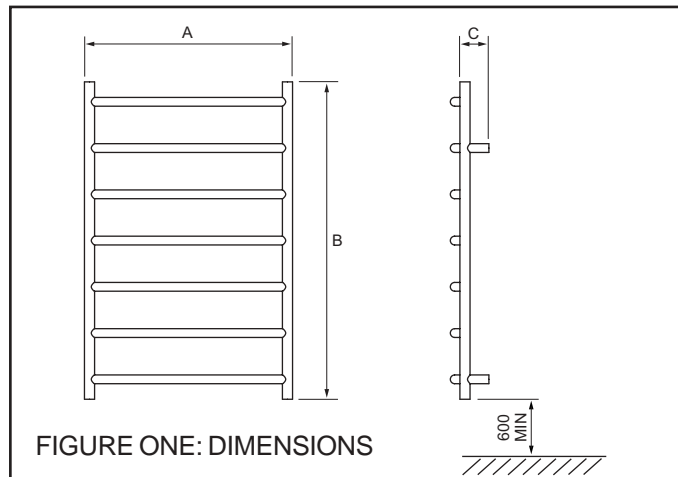
Fitting Instructions and User Guide

THANK YOU FOR PURCHASING THIS HEATRAE SADIA AERHEAT LADDER TOWEL RAIL. IT HAS BEEN DEVELOPED TO PROVIDE YOU WITH MANY YEARS OF TROUBLE FREE SERVICE WHEN INSTALLED IN THE CORRECT MANNER.

PLEASE READ AND UNDERSTAND THESE INSTRUCTIONS PRIOR TO INSTALLING YOUR HEATRAE SADIA AERHEAT LADDER TOWEL RAIL. FOLLOWING INSTALLATION AND COMMISSIONING, THE OPERATION OF THE AERHEAT LADDER TOWEL RAIL SHOULD BE EXPLAINED TO THE CUSTOMER AND THESE INSTRUCTIONS LEFT WITH THEM FOR FUTURE REFERENCE.

TECHNICAL SPECIFICATIONS

Voltage	230V - 240V AC	Electrical class	II
Frequency	50Hz - 60Hz	Ingress protection	IP34
Rated power	See Table One	Dimensions	See Figure One & Table One



Model	Watts	Dimensions		
		A	B	C
07RTR	60 - 65	522	796	118
10RTR	90 - 100	522	1156	118

TABLE ONE: MODEL SPECIFICATION

1.0 SAFETY INSTRUCTIONS

- 1.1 This Aerheat Ladder Towel Rail is intended for drying towels and is therefore hot to the touch.
- 1.2 The operating temperature of the Aerheat Ladder Towel Rail is directly affected by the ambient temperature and the insulating effect of towels. Both could cause the temperature of the Aerheat Ladder Towel Rail to rise.
- 1.3 Use this Aerheat Ladder Towel Rail only on the voltage specified on the ratings label.
- 1.4 DO NOT dry articles on the Aerheat Ladder Towel Rail that have been in contact with flammable liquids.
- 1.5 DO NOT use this Aerheat Ladder Towel Rail for anything other than its intended purpose.
- 1.6 DO NOT allow the Supply Cable to come into contact with the heated surface.

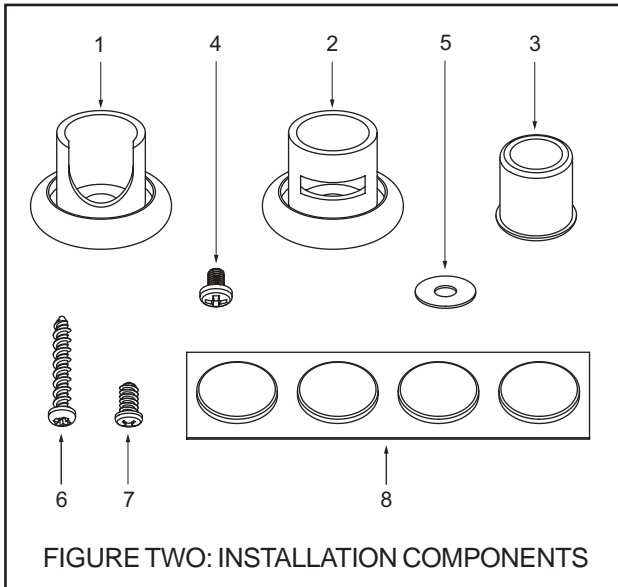
WARNING:- Improper use of electrical appliances can give rise to hazards that children can not recognize.

2.0 INSTALLATION - IMPORTANT POINTS

- 2.1 Check the mains electrical supply is within the range 230V to 240V AC 50/60Hz before connecting the Aerheat Ladder Towel Rail.
- 2.2 This Aerheat Ladder Towel Rail is fitted with a flexible supply cable and should be connected permanently to a 3 Amp fused double pole isolating switch, with a contact separation of at least 3mm in both poles.
- 2.3 The Aerheat Ladder Towel Rail must be installed by a competent electrician.
- 2.4 The Aerheat Ladder Towel Rail can only be wall mounted.
- 2.5 The Aerheat Ladder Towel Rail must be mounted at least 600mm above the floor.
- 2.6 All electrical work must comply with the relevant parts of both the latest BS7671(IEE Wiring Regulations) and part P Building Regulations.
- 2.7 This class II product does NOT require earthing.
- 2.8 The Aerheat Ladder Towel Rail may be installed in Zone 2 or 3 of a bathroom.

3.0 INSTALLATION - GENERAL

- 3.1 The Aerheat Ladder Towel Rail is supplied with a number of Installation Components. Please familiarize yourself with the components shown in FIGURE TWO & TABLE TWO. Please ensure all the parts are present before attempting to install the Aerheat Ladder Towel Rail to your wall.
- 3.2 The Aerheat Ladder Towel Rail can be mounted with the power Supply Cable VISIBLE or CONCEALED.
- 3.3 If mounting on to a stud wall, position the Aerheat Ladder Towel Rail so at least two Standard Mounting Brackets align with wall studs or noggins.



Item	Description	Qty
1	Cable Mounting Bracket	1
2	Standard Mounting Bracket	3
3	Mounting Base Extension	1
4	Cable Mounting Bracket Screw	1
5	Flat Washer	1
6	Wall Fixing Screw	4
7	Leg Fixing Screw	3
8	Adhesive Dots	4

TABLE TWO: INSTALLATION COMPONENTS

4.0 INSTALLATION - SUPPLY CABLE VISIBLE

As standard, the supply cable exits the Aerheat Ladder Towel Rail through either the bottom left or bottom right mounting leg.

- 4.1 Mark the location of the Cable Mounting Bracket (Item 1) ensuring 600mm minimum clearance between the floor and the bottom of the towel rail. Fix it to the wall using the Wall Fixing Screw and Flat Washer (items 5 & 6) supplied or a suitable wall fixing.
- 4.2 Stick one of the Adhesive Dots (item 8) to the back of each remaining three Standard Mounting Brackets (Item 2) and remove the protective paper backing.
- 4.3 Insert all three remaining Standard Mounting Brackets (Item 2) into the Aerheat Ladder Towel Rail mounting legs ensuring the rectangular fixing slot faces downwards.
- 4.4 Locate the Aerheat Ladder Towel Rail on to the Cable Mounting Bracket already screwed to the wall. Ensure the cable grommet engages firmly into the Mounting Bracket. Align the Aerheat Ladder Towel Rail to the desired position on the wall and press firmly to adhere the three remaining Standard Mounting Brackets.
- 4.5 Pull the Aerheat Ladder Towel Rail away, leaving the Mounting Brackets attached to the wall.
- 4.6 Attach the three Standard Mounting Brackets to the wall using the remaining Wall Fixing Screws supplied.
- 4.7 Refit the Aerheat Ladder Towel Rail to the Mounting Brackets, Lock the three Standard Mounting Brackets in place using the three Leg Fixing Screws (Item 7). Lock the Cable Mounting Bracket in place using the Cable Mounting Bracket Screw (Item 4).
- 4.8 Connect the Supply Cable in accordance with the latest BS7671 (IEE Wiring Regulations).

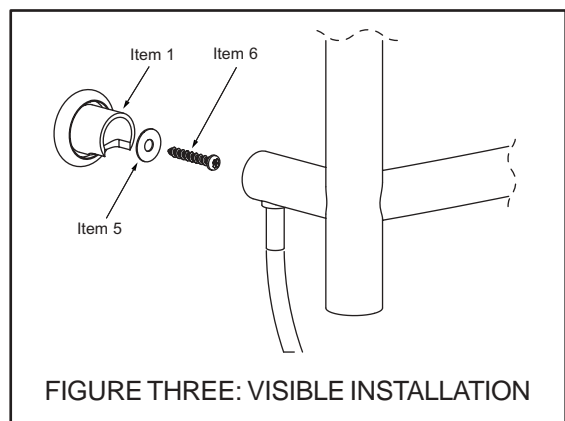


FIGURE THREE: VISIBLE INSTALLATION

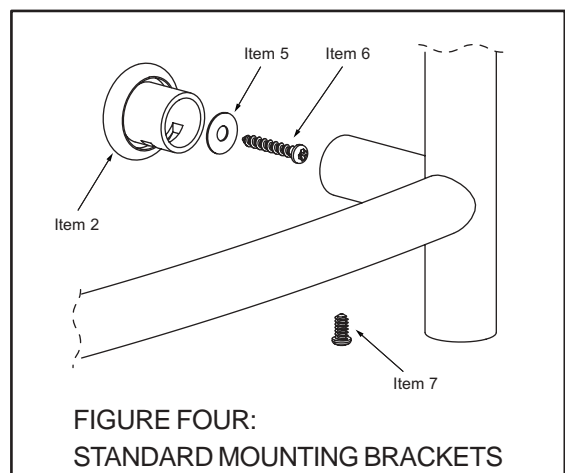
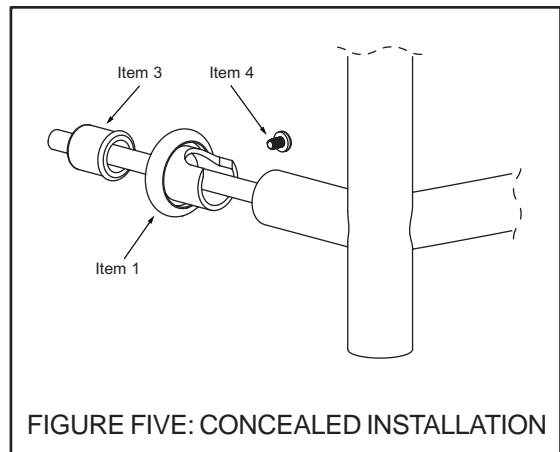


FIGURE FOUR:
STANDARD MOUNTING BRACKETS

5.0 INSTALLATION - SUPPLY CABLE CONCEALED

Before installation can take place, the mounting leg grommet must be removed from the supply cable.

- 5.1 Feed the Supply Cable through the centre of the Cable Mounting Bracket (Item 1).
- 5.2 Rotate the Cable Mounting Bracket so the slot underneath the mounting leg is blanked off.
- 5.3 Screw the Cable Mounting Bracket to the mounting leg using the Cable Mounting Bracket Screw (Item 4).
- 5.4 Locate the Towel Rail in a suitable position on the wall ensuring 600mm minimum clearance between the floor and the bottom of the towel rail and mark the location of the Cable Mounting Bracket.
- 5.5 Drill the wall with a Ø16 hole to accommodate the Mounting Base Extension (Item 3).
- 5.6 Push the Mounting Base Extension into the hole until the back of the flange is flush with the wall.
- 5.7 Feed the Supply Cable through the Mounting Base Extension.
- 5.8 Continue the Installation as described in the 'SUPPLY CABLE VISIBLE' steps 4.2 to 4.8. See FIGURE FOUR.



6.0 OPERATION

- 6.1 When switched on the Aerheat Ladder Towel Rail will take approximately 45 minutes to reach normal operating temperature. If need be it can be left running continuously.

7.0 MAINTENANCE

- 7.1 The Aerheat Ladder Towel Rail should not require any maintenance, however, it is advised that the unit is kept clean. An occasional wipe over with a soft damp cloth should be more than sufficient.
- 7.2 Do NOT use any abrasive substances on the surface of the heater.
- 7.3 If the supply cable is damaged, the unit should be switched off until a competent electrician can assess the damage.

8.0 FAULT FINDING

- 8.1 Check your Aerheat Ladder Towel Rail has power available.
- 8.2 Check the fused spur has not blown.
- 8.3 Check the main consumer unit has not tripped.
- 8.4 Do not attempt to repair the Aerheat Ladder Towel Rail.
- 8.5 Should none of the above remedies work, please contact the helpline number shown in these instructions.

9.0 GUARANTEE

THE AERHEAT LADDER TOWEL RAIL IS GUARANTEED FOR A PERIOD OF TWO YEARS FROM THE DATE OF PURCHASE PROVIDED:

- 9.1 The Aerheat Ladder Towel Rail has been installed in accordance with these instructions.
- 9.2 The Aerheat Ladder Towel Rail has not been tampered with.
- 9.3 The correct electricity supply is used as specified on the ratings label attached to the Aerheat Ladder Towel Rail.

This guarantee does not affect the statutory rights of the consumer.

10.0 ENVIRONMENTAL INFORMATION



Old appliances contain valuable materials that can be recycled. Do not dispose of such appliances with normal domestic waste but rather by way of your local authority recycling center.

HEATRAE SADIA

The quality name in water heating

Heatrae Sadia Heating
Hurricane Way Norwich NR6 6EA
www.heatraesadia.com
A division of BAXI GROUP

Main No: 01603 420100
Main Fax: 01603 420218
Sales: 08700 603262
Sales Fax: 08700 600403
Service: 08701 600125
Service Fax: 08701 600181

36005976_ISSUE 2