

## Aerheat Electric Panel Heaters - Wireless

CONTENTS	PAGE
1.0 INTRODUCTION	2
2.0 TECHNICAL SPECIFICATION	2
3.0 INSTALLATION	3
4.0 EXPLANATION TO USER	4
5.0 MAINTENANCE	5
6.0 FAULT FINDING	5
7.0 GUARANTEE	5
8.0 ENVIRONMENTAL INFORMATION	5

## 1.0 INTRODUCTION

Thank you for purchasing this Heatrae Sadia Aerheat panel heater. The Aerheat panel heater has been manufactured in the UK to the highest standards and has been designed to meet all the latest relevant safety specifications.

The Aerheat panel heater should be installed and maintained by a competent person. Please read and understand these instructions prior to installing the unit.

Following installation and commissioning, the operation of the Aerheat panel heater should be explained to the customer and these instructions left with them for future reference.

The Aerheat panel heater is not intended for use by persons (including children) with reduced physical, sensory or mental capabilities, or lack of experience or knowledge, unless they have been given supervision or instruction concerning the use of the Aerheat panel heater by a person responsible for their safety.

Children should be supervised to ensure they do not play with the Aerheat panel heater.

The wireless control for the Aerheat panel heater may control several panel heaters within a single dwelling. It is not intended to control multiple heaters across multiple dwellings.

## 2.0 TECHNICAL SPECIFICATIONS

Voltage	230V - 240V~	Electrical class	1
Frequency	50Hz - 60Hz	Ingress Protection	IPX4
Rated Power	See Table 1	Dimensions	See Figure 01 & Table 01

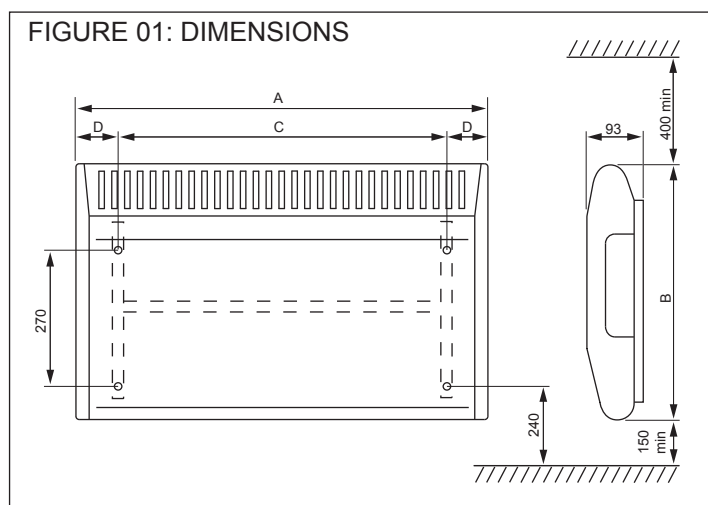


TABLE 01: MODEL SPECIFICATION

Code No	Model No	Power	Wireless Control	Stainless Steel	A	B	C	D
95022412	A050W	500W	●		442	430	196	123
95022413	A075W	750W	●		442	430	196	123
95022414	A100W	1000W	●		614	430	364	125
95022415	A125W	1250W	●		614	430	364	125
95022416	A150W	1500W	●		680	430	448	116
95022417	A200W	2000W	●		852	430	616	118
95022430	A050SSW	500W	●	●	442	430	196	123
95022431	A075SSW	750W	●	●	442	430	196	123
95022432	A100SSW	1000W	●	●	614	430	364	125
95022433	A125SSW	1250W	●	●	614	430	364	125
95022434	A150SSW	1400W	●	●	680	430	448	116
95022435	A200SSW	2000W	●	●	852	430	616	118

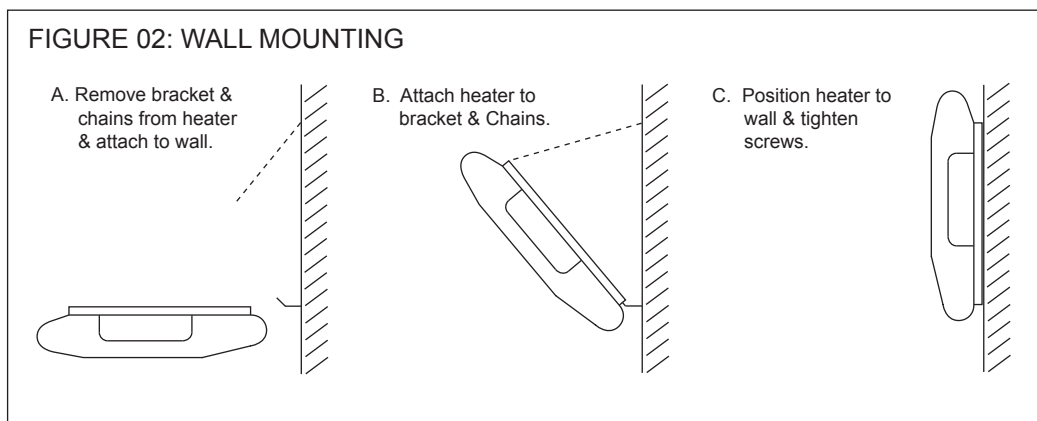
### 3.0 INSTALLATION

#### 3.1 IMPORTANT SAFETY GUIDANCE

- 3.1.1 The surfaces of the heater can be extremely HOT in operation.
- 3.1.2 Avoid touching the heater and prohibit possible contact where aged, infirmed or children are present by use of a suitable fire guard.
- 3.1.3 Observe the DO NOT COVER warning label on the appliance. Do not drape clothing or materials over the heater and never obstruct the air inlet or heater outlet grilles.
- 3.1.4 Do not mount the heater within 150mm of combustible materials e.g. curtains, blinds, floors or within 400mm of overhanging shelves etc.
- 3.1.5 Always switch the heater off before cleaning or servicing.
- 3.1.6 The heater must not be located immediately below a socket outlet.

#### 3.2 LOCATION

- 3.2.1 Remove the wall bracket from the Aerheat panel heater, with the chains attached, by removing the two screws from the top of the rear panel.
- 3.2.2 Fix the wall bracket to the wall through the four wall bracket holes using suitable wall fixings. (Not supplied).
- 3.2.3 Present the Aerheat panel heater to the wall bracket.
- 3.2.4 Locate the two slots in the rear panel on to the bottom lugs of the wall bracket. Hinge the Aerheat panel heater upwards and replace the screws and link plates of the chain, then move the Aerheat panel heater to the upright position. The link plates should slide under the slotted bracket lip.
- 3.2.5 Tighten both retaining screws.



### 3.3 ELECTRICAL

Warning: this appliance must be earthed. It is suitable for a.c. supply only.

Electrical installation must be carried out by a competent electrician and be in accordance with the latest I.E.E. wiring regulations.

Ensure the electrical supply is switched off before making any connections to the unit.

3.3.1 The Aerheat panel heater is supplied fitted with a 2 metre, 3 core, 1.0mm<sup>2</sup> flexible cable.

The electricity supply should be fused 13 Amp and be via a double pole isolating switch with a contact separation of at least 3mm in both poles. The Aerheat panel heater should not be connected via a plug.

3.3.2 The wires are colour coded as follows:

Green and Yellow	EARTH	⊕
Brown	LIVE	(L)
Blue	NEUTRAL	(N)

## 4.0 EXPLANATION TO USER

### 4.1 OPERATION

4.1.1 When connected to the mains and switched ON, the neon light will illuminate on the front of the Aerheat panel heater.

4.1.2 To operate the Aerheat panel heater, please refer to the WC1 user instructions supplied with your WC1 wireless programmer.

4.1.3 When switched on for the first time, the Aerheat panel heater may produce a slight odour. This is normal and will stop after a short period of time.

4.1.4 For your own safety, the following list of precautions should be adhered to:

DO NOT handle the Aerheat panel heater with wet hands.

DO NOT touch the outlet grille when the Aerheat panel heater is in use.

DO NOT cover the Aerheat panel heater or restrict any aperture, to avoid overheating.

DO NOT leave young children unattended near the Aerheat panel heater when in use.

### 4.2 OVER TEMPERATURE PROTECTION

4.2.1 The Aerheat panel heater is fitted with an Electronic Safety (ES) Control. This is a device which switches the Aerheat panel heater OFF, if for any reason the unit overheats. The ES control can be re-set after the Aerheat panel heater has cooled down. To re-set the ES control, the following steps must be followed:

- Switch the Aerheat panel heater OFF and leave for about 5 minutes.
- Switch the Aerheat panel heater back ON and the ES control will re-set.
- Check the Aerheat panel heater is working correctly. If the ES control operates again, the unit should be checked by a competent electrician.

4.2.2 To avoid a hazard due to inadvertent resetting of the thermal cut-out, the Aerheat panel heater must NOT be wired through an external timer or connected to a circuit that is regularly switched on and off by the utility.

## 5.0 MAINTENANCE

- 5.1 Always switch OFF the Aerheat panel heater from the mains before cleaning.
- 5.2 The Aerheat panel heater should not require any maintenance, however, it is advised that the Aerheat panel heater is kept clean. An occasional wipe over with a soft cloth should be more than sufficient.
- 5.3 DO NOT use any abrasive substances on the surface of the Aerheat panel heater.
- 5.4 DO NOT use metal or furniture polish on any part of the Aerheat panel heater.
- 5.5 DO NOT use wet cloths, or in any way bring water into contact with the Aerheat panel heater.
- 5.6 If the supply cord is damaged, the Aerheat panel heater should be switched off until the supply cord can be replaced by a competent electrician or a Heateam Engineer in order to avoid a hazard.

## 6.0 FAULT FINDING

IF YOUR HEATER DOES NOT WORK:

- 6.1 Check your Aerheat panel heater has power available. The neon light should be illuminated when the Aerheat panel heater is switched ON.
- 6.2 Check the Aerheat fuse (located on the right hand side of the back panel).
- 6.3 Check the thermal cut-out has not operated. Follow the re-set steps to check. (Section 6.1)
- 6.4 Check the fused spur has not blown.
- 6.5 Check the main consumer unit has not tripped.
- 6.6 Check the Aerheat panel heater is connected to the wireless controller. Please follow the instructions supplied with the WC1 Controller, headed 'Connect your heater to WC1'.
- 6.7 Should none of these suggestions work, then please call the service number supplied on this manual.
- 6.8 Do not attempt to repair the heater.

## 7.0 GUARANTEE

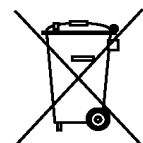
THE AERHEAT PANEL HEATER IS GUARANTEED FOR TWO YEARS FROM THE DATE OF PURCHASE PROVIDED THAT:

- 7.1 The Aerheat panel heater has been installed in accordance with these instructions.
- 7.2 The Aerheat panel heater has not been tampered with.
- 7.3 The correct electricity supply is used as specified on the ratings label attached to the Aerheat panel heater.

This guarantee does not affect the statutory rights of the consumer.

## 8.0 ENVIRONMENTAL INFORMATION

This product is manufactured from many recyclable materials. At the end of its useful life, it should be disposed of at a Local Authority Recycling Centre in order to realise the full environmental benefits. The Aerheat panel heater does not contain any substances harmful to health; it does not contain any asbestos.



## NOTES

## NOTES

---

## **HEATRAE SADIA**

**The quality name in water heating**

Heatrae Sadia Heating  
Hurricane Way Norwich NR6 6EA  
[www.heatraesadia.com](http://www.heatraesadia.com)

A division of **BAXI GROUP** © 2010

Customer Service

Tel: 0844 8711535

Fax: 0844 8711528

E-mail: [heatraesadiaservice@heateam.co.uk](mailto:heatraesadiaservice@heateam.co.uk)

36005986\_issue\_04