

SUPREME 150SS, 165SS, 180SS

Fitting Instructions and User Guide

Please read and understand these instructions prior to installing your Supreme water heater. They are for use by competent personnel i.e. trained, experienced and qualified. Instructions only detail key operations. They do not supersede national, mandatory or legal requirements which may apply to the product, installation, environment or personnel associated with servicing the Supreme. **WARNING: electronics control by switching 'N' (neutral), in some instances neutral terminations will be at 230 volts with respect to earth.**

Particular attention should be paid to the section headed **IMPORTANT INSTALLATION POINTS**. Following installation and commissioning, the operation of the heater should be explained to the customer and these instructions left with them for future reference.

TECHNICAL SPECIFICATIONS

Electrical rating	2.3 - 2.5 kW	220 - 240V	~
Nominal capacities	Model 150SS	2.5 litres	
	Model 165SS	5.0 litres	
	Model 180SS	7.5 litres	
Weight (full)	Model 150SS	12 kg	
	Model 165SS	16 kg	
	Model 180SS	21 kg	
Rated pressure		0MPa	(0 bar)
Minimum supply pressure		0.05MPa	(0.5 bar)
Maximum supply pressure		1.0MPa	(10 bar)
Enclosure rated		IP X2	
A-weighted sound pressure level is below		70 dB	
Nominal commissioning times (minutes) to temperature ready			
Supreme 150SS		16	
Supreme 165SS		24	
Supreme 180SS		32	

COMPONENT CHECKLIST

Before commencing installation check that all the following components have been supplied with your Supreme heater.

- Wall mounting bracket
- No.12 x 2" screws (2 off)
- No.8 x 1" screw (1 off)
- No.12 x 2" wall plug (2 off)
- No.8 x 1" wall plug (1 off)
- Template - to aid in positioning the heater
- 15mm x 15mm straight push-fit connector
- 15mm x 15mm 90° elbow push fit connector

1.0 IMPORTANT INSTALLATION POINTS

- 1.1 The Supreme stores and dispenses water at or close to boiling point at all times it is switched on. Due caution must be taken when choosing a location for the product to minimise misuse. Locate the unit over a draining board NOT over the sink or basin.
- 1.2 Push fit connectors DO NOT grip chromed or stainless pipe.
- 1.3 The Supreme is a vented water heater. The vent pipe must never be blocked or obstructed, it must be a minimum of 15mm outside diameter pipe. Where the vent pipe length exceeds 3m the pipe diameter should be increased. The vent pipe must be laid to a continuous fall and discharge in a safe, visible position; it must discharge via a tundish or finish a minimum of 20 mm above a draining board. The vent pipe material must be capable of conveying boiling water. The vent pipe must never be connected directly to a soil pipe.
- 1.4 Wherever possible the Supreme should be supplied directly from a rising main. If fed from a cold water feed cistern, the cistern must comply with the Water Regulations Guide (clause R27.2). It should be noted that water quality may be reduced when supplied from a cistern and additional forms of water pretreatment may be necessary.
- 1.5 In hard water areas, heated water will produce limescale which will be deposited within the heater. If this is not regularly removed it will impair the operation of the heater (see Supreme Maintenance Plan). Where rapid and excessive scale build up is likely to occur the use of a proprietary scale reducing device may be beneficial.
- 1.6 The installation must comply with the relevant sections of the Water Regulations, Building Regulations and BS 7671 (IEE Wiring Regulations) in force at the time.
- 1.7 The Supreme will adjust for ambient (room) temperatures of between 1°C and 40°C.
- 1.8 When not in use care must be taken to prevent it freezing; if thought to be frozen it must not be switched on. It must be left to thaw and must then be thoroughly inspected to ensure it is totally thawed and undamaged.
- 1.9 The unit is not suitable for installation in an area where a water jet could be used.

2.0 INSTALLATION - MOUNTING

- 2.1 The Supreme must be vertically wall mounted using the bracket supplied. Special precautions may be required for the protection of children and/or infirm persons. The appliance is not intended for use by young children or infirm persons without supervision. Young children should be supervised to ensure that they do not play with the appliance.
- 2.2 Fig.2 details the outside dimensions of the Supreme unit. A template is supplied to aid positioning the heater. It is recommended that the unit is positioned above a draining board. If this is not possible consideration should be given to any spillages that may occur under the heater. A drip tray is available as an accessory (Heatrae Sadia Code No. 95 970 123). The heater should be positioned at a height to suit the items being filled (flasks, pans, cups etc.). This is likely to position the base of the unit 250mm above the work surface.
- 2.3 Sufficient room should be left around the heater for access for maintenance and servicing. The top should not be covered as this will reduce the efficiency of the Supreme.
- 2.4 Ensure that the wall can support the full weight of the unit (see TECHNICAL SPECIFICATIONS) and that there are no hidden services (electricity, gas or water) below the surface of the wall.
- 2.5 Using the template mark the fixing positions and water and vent entry points. Drill and plug the fixing positions. Fix the mounting bracket to the wall using the two No.12 x 2" screws provided **(confirm suitability of all screws and plugs for use with the wall, if unsuitable due to wall type provide alternative fixings)**.
- 2.6 If rear entry services are to be used the necessary holes for these should be prepared prior to hanging the unit onto its bracket.
- 2.7 Remove the front cover by: unscrewing the cover fixing screws (two at the bottom), hinging the cover slightly forward and then lifting it clear. Hang the Supreme onto the wall mounting bracket. Secure anchor point to the wall with the No.8 x 1" long screw (provided).

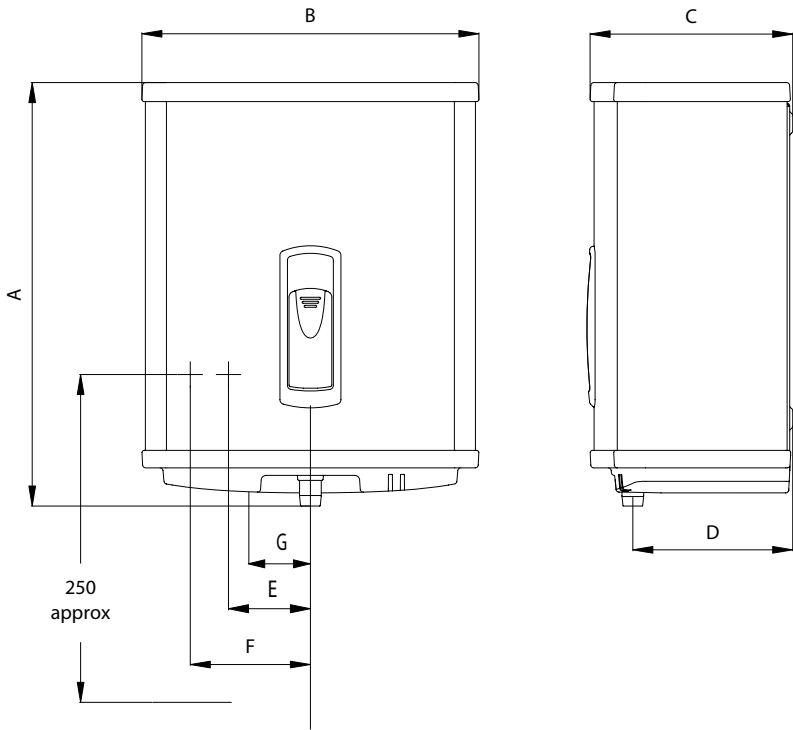


Fig.2

MODEL	DIMENSIONS (mm)						
	A	B	C	D	E	F	G
				OUTLET	INLET	VENT	CABLE ENTRY
150SS	423	337	203	160	80	112	111
165SS	501	337	203	160	101	133	101
180SS	506	337	262	220	101	133	101

4.0 INSTALLATION - WATER SUPPLY


- 4.1 Select appropriate push fit connector for chosen entry position:
Bottom entry water - 15mm x 15mm 90° elbow.
Rear entry water - 15mm x 15mm straight.
Note: stainless or chromed pipes do NOT provide secure connections with push fit fittings (use copper pipe at joints).
- 4.2 Push the connector fully home (28mm engagement) onto the solenoid valve inlet spigot. To remove a push fit connector the collar (collet) should be pushed towards the body of the fitting whilst pulling the connector off the pipe.
- 4.3 If the inlet pipe run is horizontal and beneath the unit ensure it does not prevent access to the case screws.
- 4.4 Connect the inlet pipe to the push fit connector ensuring it is fully pushed home (28mm engagement). After connection DO NOT make soldered joints in the pipework close to the heater, as the heat may damage the connector or the water heater itself.
- 4.5 A WRAS listed isolating valve should be fitted to the cold supply to facilitate servicing the heater.
- 4.6 Push fit connectors are supplied to allow either bottom or rear entry of services. If a combination of entry points are required an additional connector will be required as follows:
Bottom inlet, rear vent 15mm x 15mm elbow
(Heatrae Sadia part no. 95 607 510)
Rear inlet, bottom vent 15mm x 15mm straight
(Heatrae Sadia part no. 95 607 509)

5.0 INSTALLATION - VENT PIPE

- 5.1 Select appropriate push fit connector for chosen entry position:
Bottom entry vent - 15mm x 15mm straight
Rear entry vent - 15mm x 15mm 90° elbow
- 5.2 Push the connector fully home (28mm engagement) onto the vent pipe connection.
- 5.3 Connect the vent pipe to the push fit connector ensuring it is pushed fully home (28mm engagement). Refer to the vent pipe requirements detailed in IMPORTANT INSTALLATION POINTS. If a bottom entry vent pipe is used the pipe must terminate below the unit, in a safe visible position. After connection DO NOT make soldered joints in the pipework close to the heater, as the heat may damage the connector or the water heater itself.

6.0 INSTALLATION - ELECTRICAL REQUIREMENTS

WARNING: This appliance must be earthed. It is suitable for a.c. supply only. Disconnect the electrical supply before removing the cover. Installation must be in accordance with the current local Wiring Regulations.

- 6.1 Supremes must only be connected via Fixed Wiring (a plug and socket must not be used).
- 6.2 A double pole isolating switch, with a contact separation of at least 3mm in both poles, should be incorporated in the electrical supply. The supply should be fused 13 Amp.
- 6.3 The nominal cross sectional area of the supply cable must be a minimum of 1.5mm².
- 6.4 The outer sheath of the cable must be secured using the cable clamp provided, unless using rear cable entry.
- 6.5 Strip the outer sheath from the cable for a maximum of 60mm. Prepare and consolidate the ends and connect the cable to the terminal block as follows:
 - BROWN or RED wire to terminal marked L.
 - BLUE or BLACK wire to terminal marked N.
 - GREEN/YELLOW or GREEN wire to terminal marked If using "Twin and Earth" cable the bare earth wire must be sleeved.
- 6.6 If Supremes are to be unused for significant periods of time running costs can be reduced by switching the units off. It is recommended that this is done automatically by incorporating a suitable timeswitch in the supply to the unit. The use of Heatrae Sadia accessory no. 95 970 124 is recommended. The timeswitch can then be set to switch the unit on for a suitable period to allow it to heat up before it is next to be used. NOTE: A timeswitch must be capable of switching 13 Amps resistive load.

7.0 COMMISSIONING

- 7.1 The electronic control system of the Supreme has a self commissioning and calibration function. Once the heater is installed and all services have been connected the unit should require no further adjustment before use.
- 7.2 Check that all electrical, water and vent pipe connections have been made and are secure.
- 7.3 Replace the cover and secure with the fixing screws. Ensure the tank discharge tube is centrally located in the outlet spout. Turn on water and electrical supply.
- 7.4 The READY indicator will flash to indicate the unit is in its “self-commissioning” mode. The water in the unit will not be hot enough to use at this stage.
- 7.5 The READY indicator will continue to flash until the unit has reached boiling and has “self-calibrated”. At this point the READY indicator will remain illuminated. If for any reason the calibration procedure is interrupted it will restart after a short delay but may result in the calibrated temperature being too low. If this occurs switch the electrical supply OFF for several seconds and then switch ON. The calibration sequence will reset. Wait for the READY indicator to remain illuminated.
- 7.6 The unit is now ready to use, however, it is recommended that the first few fills be drawn off and discarded to ensure the freshness of the water.
- 7.7 The tap sealing washer pressure has been already set. If the tap drips after commissioning adjust the spring tension so that the handle is just loose.
 - a) Remove the tap bezel after removing the two screws securing it. Note: to remove the bezel the handle will have to be operated. This will cause water to discharge from the outlet.
 - b) Tighten the tap headwork nut (turn clockwise) until the handle is just loose. Replace bezel and securing screws. **Note: excessive adjustment will dismantle the tap, if heated this would result in the uncontrollable release of boiling water.**
- 7.8 Check for leaks.

8.0 MAINTENANCE

NOTE: Maintenance must be carried out by competent persons. Competent - i.e. trained, experienced, qualified.

Disconnect the electrical supply before removing the cover.

WARNING: electronics control by switching 'N' (neutral), in some instances neutral terminations will be at 230 volts with respect to earth.

Maintenance instructions are available from the Heatrae Sadia Service Department. Telephone 01603 420330 , Fax 01603 420349

- 8.1 The electronic control system of the Supreme has a self-diagnostic feature which determines if the unit is operating satisfactorily. It will automatically calibrate for water quality and temperature.
- 8.2 If steam or boiling water discharges from the vent pipe the Supreme will switch off. A critical fault would render the unit unsafe to use and so will deactivate both the element and solenoid valve.
- 8.3 The Supreme incorporates an electronic scale conditioning function which will reduce the rate of scale deposition in hard water areas. However, some deposits may still occur in the storage tank; these should be periodically removed.

Supreme Maintenance Plan

Heatrae Sadia are pleased to offer a preventative maintenance program to ensure that your product will continue to operate to your satisfaction in even the most troublesome of water conditions.

The service provided includes an inspection, descale and functional test, scheduled to meet your requirements. All work under the plan will be carried out by one of our authorised service engineers, who are fully trained, regularly audited and carry a complete stock of spare parts. This plan is in addition to the manufacturer's warranty and does not cover the cost of materials associated with any out of warranty component repairs.

For further information on the Maintenance Plan please contact our Service Department. Telephone 01603 420330, Fax 01603 420349.

9.0 FAULT FINDING

SAFETY NOTE: DISCONNECT THE ELECTRICAL SUPPLY BEFORE REMOVING THE COVERS AND CARRYING OUT ANY OF THE FOLLOWING ACTIONS. DO NOT BYPASS ANY SAFETY CONTROLS.

SYMPTOM	POSSIBLE CAUSE	ACTION
No indicator lights	<ol style="list-style-type: none"> 1. If no water or heat – no power to unit 2. If hot water available – no power to indicator diodes 	<ol style="list-style-type: none"> 1. Check power supply is correctly connected and switched on and that primary cutout has not operated 2. Check connections to indicators at 4 way plug
Unit does not fill on commissioning	<ol style="list-style-type: none"> 1. If “ON” indicator not illuminated – no power to unit 2. If “READY” light flashing – water supply not turned on 3. Solenoid fault 4. Low water pressure 	<ol style="list-style-type: none"> 1. Check power supply is correctly connected and switched on and that primary cutout has not operated 2. Check water supply 3. Check operation of solenoid valve, replace if necessary 4. Check supply
Unit does not heat on commissioning	<ol style="list-style-type: none"> 1. If “ON” indicator not illuminated – no power to unit 2. If “READY” light flashing – water supply not turned on 3. Solenoid fault 4. Low water pressure 5. Element fault 	<ol style="list-style-type: none"> 1. Check power supply is correctly connected and switched on and that primary cutout has not operated 2. Check water supply 3. Check operation of solenoid valve, replace if necessary 4. Check supply 5. Check element continuity. If faulty replace
Unit does not fill after commissioning	<ol style="list-style-type: none"> 1. Level sensor fault 2. Solenoid valve fault 3. Electronic control fault 4. Low water pressure 	<ol style="list-style-type: none"> 1. Check level system earth connections 2. Check operation of solenoid valve, replace if necessary 3. Check connections to electronic control. Replace if necessary 4. Check supply
Unit does not heat after commissioning	<ol style="list-style-type: none"> 1. Element fault 2. Electronic control fault 3. Control thermistor fault – short circuit 	<ol style="list-style-type: none"> 1. Check element continuity. If faulty replace 2. Check connections to electronic control. Replace if necessary 3. Check continuity (5Kohms at 100°C , 100Kohms at 25°C)

SYMPTOM	POSSIBLE CAUSE	ACTION
Water flows from vent and primary cutout activates	<ol style="list-style-type: none"> 1. Solenoid valve fault 2. Level sensor fault 3. Electronic control fault 	<ol style="list-style-type: none"> 1. Check operation of solenoid valve, replace if necessary 2. Check level system earth connections 3. Check connections to electronic control. Replace if necessary
Steam from vent pipe and primary cutout operates	<ol style="list-style-type: none"> 1. Control thermistor fault – open circuit 2. Electronic control fault 3. Scale build up 	<ol style="list-style-type: none"> 3. Check continuity (5Kohms at 100°C , 100Kohms at 25°C) 2. Check connections to electronic control. Replace if necessary 3. Descale unit
Drips from outlet	<ol style="list-style-type: none"> 1. Incorrect spring tension 2. Scale : debris under tap seal 3. Damaged tap seal 4. Scale on tap outlet spout 	<ol style="list-style-type: none"> 1. Ensure tap headwork nut correctly adjusted 2. Remove and clean as necessary 3. Replace tap seal 4. Clean tap outlet
Water "runs on" when tap released	<ol style="list-style-type: none"> 1. Scale on tap outlet spout 2. Scale : debris under tap seal 3. Damaged tap seal 	<ol style="list-style-type: none"> 1. Clean tap outlet 2. Remove and clean as necessary 3. Replace tap seal
Stale taste to water	Unit left unused for several days	Empty and allow to refill before use
Tap sticks open	Dirt around handle pivot	Clean with a stiff paint brush
Water consistently cooler than when new	<ol style="list-style-type: none"> 1. Control thermistor pocket has a covering of scale 2. Control thermistor out of calibration 3. Steam thermistor out of calibration 	<ol style="list-style-type: none"> 1. Descale the pocket surface & unit 2. Check values (5Kohms at 100°C, 100Kohms at 25°C) 3. Check values (5Kohms at 100°C, 100Kohms at 25°C)

Any faults that cannot be identified using the Fault Finding chart, or in case of doubt, contact the Heatrae Sadia Service Department, telephone (01603) 420330, fax (01603) 420349.

10.0 SPARE PARTS

The following comprehensive list of spare parts is available for your Supreme water heater. Please refer to the rating label on the right hand side of your heater before ordering to ensure the correct spare parts are obtained.

DO NOT REPLACE WITH PARTS NOT RECOMMENDED BY HEATRAE SADIA - THIS WILL INVALIDATE YOUR GUARANTEE AND MAY RENDER THE INSTALLATION DANGEROUS.

1.	Element assembly (incorporating start dry cutout)	95 606 952
2.	Element assembly sealing gasket	95 611 816
3.	Primary cutout (vent pipe)	95 612 001
4.	Solenoid valve assembly	95 605 877
5.	Level sensor assembly (150 model)	95 612 010
6.	Level sensor assembly (165 & 180 models)	95 612 011
7.	Circuit board (150,165,180 models)	95 615 007
8.	Wiring harness (4way inc. diodes)	95 612 006
9.	Wiring harness (complete)	95 612 013
10.	Thermistor control/steam	95 612 696
11.	Outlet tap headwork (inc. handle)	95 605 019
12.	Outlet tap stem	95 605 832
13.	Outlet tap cup seal	95 611 731
14.	Bezel for tap & cover	95 605 020
15.	Stainless cover assy. & screws (150 model)	95 614 003
16.	Stainless cover assy. & screws (165 model)	95 614 004
17.	Stainless cover assy. & screws (180 model)	95 614 005
18.	Steam condenser assembly (150 model)	95 607 015
19.	Steam condenser assembly (165 model)	95 607 016
20.	Steam condenser assembly (180 model)	95 607 018
21.	Condenser sealing gasket (150 model)	95 611 817
22.	Condenser sealing gasket (165 model)	95 611 819
23.	Condenser sealing gasket (180 model)	95 611 820
24.	'O' ring kit	95 611 002
25.	Hose kit (low pressure)	95 607 014
26.	Hose kit (high pressure)	95 607 013
27.	Outlet spout plastic - tank	95 604 668

- | | | |
|-----|-------------------------------------|------------|
| 28. | Outlet spout - cover | 95 604 001 |
| 29. | Push fit connector 15x15 straight | 95 607 509 |
| 30. | Push fit connector 15x15 elbow | 95 607 510 |
| 31. | Inlet injector assembly (150 model) | 95 607 019 |
| 32. | Inlet injector assembly (165 model) | 95 607 022 |
| 33. | Inlet injector assembly (180 model) | 95 607 026 |
| 34. | Tank (150 model) | 95 608 926 |
| 35. | Tank (165 model) | 95 608 927 |
| 36. | Tank (180 model) | 95 608 928 |
| 37. | Tank drain & seal | 95 608 929 |
| 38. | Start dry cutout (element) | 95 612 691 |
| 39. | Solenoid valve coil | 95 605 839 |
| 40. | Fitting Kit (150 model) | 95 607 024 |
| 41. | Fitting Kit (165/180 model) | 95 607 025 |

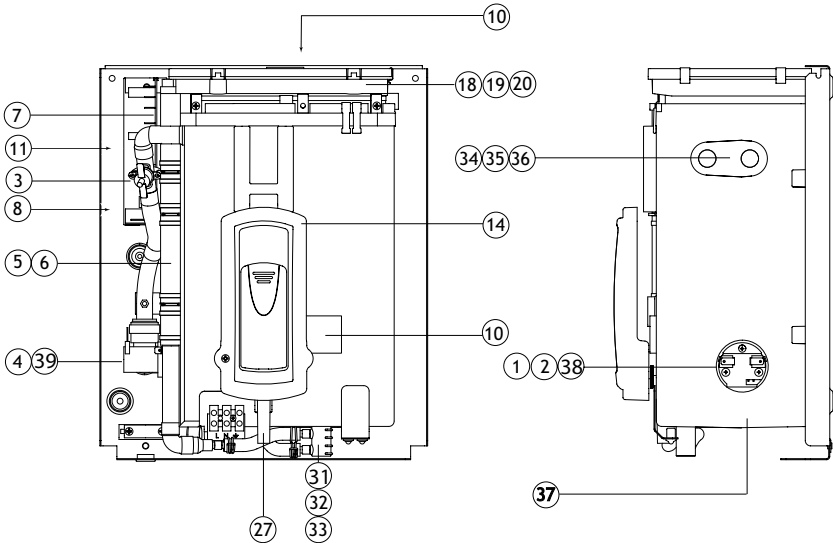


Fig. 3

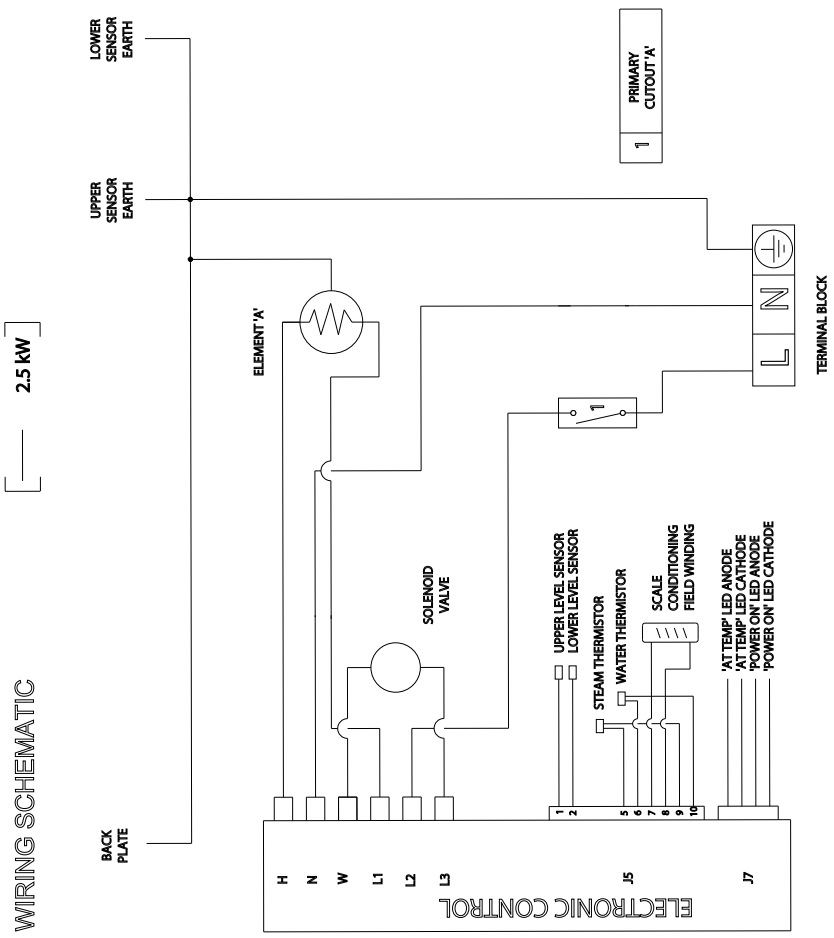


Fig. 4

11.0 USER INSTRUCTIONS

- 11.1 Once installed the filling and heating cycles of the Supreme are completely automatic.
- 11.2 To dispense water, a suitable container having been placed under the outlet spout, the tap handle should be pulled down and towards (or pushed away from) the user. The water dispensed will at all times be boiling or close to boiling point so due caution must be taken when using the product, especially if it is likely to be used by children, aged or infirm persons.
- 11.3 The tap handle is spring loaded so that when released it will spring back to the “off” position (no flow).
- 11.4 The Supreme is fitted with two indicators to give a visual indication of the unit’s status.

ON Will be illuminated as long as the electrical supply to the Supreme is switched on.

READY When fully illuminated indicates that the stored water is hot enough to use.

- 11.5 If the store of hot water is completely withdrawn, the flowrate from the outlet tap will reduce to the filling rate of the heater. This slow flowrate allows the incoming water to be instantly reheated, it does not indicate a fault with the water heater.
- 11.6 If the Supreme is not used for a few days the water may become “stale”. In these instances it is advisable to draw off the contents and discard the water at least twice to remove the “stale” water. This will ensure that “freshly” boiled water is used to make your drinks etc.
- 11.7 Similarly, if left unused it is possible that some scale residue will collect in the outlet tap. This will cause the outlet water to appear “milky” for a short while. If this condition occurs it is recommended that the first few cups are drawn off and discarded.

GUARANTEE

This Supreme water heater is guaranteed for a period of two years from the date of purchase provided:

1. The unit has been installed in accordance with these instructions and all necessary inlet, vent and electrical connections have been fitted correctly.
2. Any valves or controls are of Heatrae Sadia recommended type.
3. The unit has not been tampered with and has been regularly maintained as detailed in the maintenance instructions.
4. The unit has been used only for heating potable water.

The unit is not guaranteed against damage by frost or due to the build up of scale. Please note that if Heatrae Sadia personnel or agents are requested to descale a unit, this work will be chargeable.

This guarantee does not affect the statutory rights of the consumer.

ENVIRONMENTAL INFORMATION

This product is manufactured from many recyclable materials. At the end of its useful life it should be disposed of at a Local Authority Recycling Centre.

NOTES

Spares Stockists

For the fast and efficient supply of spares please contact the stockists listed below.

Electric Water Heating Co.

2 Horsecroft Place, Pinnacles, Harlow, CM19 5BT

Tel: 0845 0553811

E-mail: sales@ewh.co.uk

Eyre & Elliston

Unit 12, Spitfire Way, Airlinks Industrial Estate

Heston, Middlesex TW5 9NR

Tel: 020 8573 0574

Parts Center

Network 65 Buisness Park,

Bentley Wood Way, Burnley, Lancashire, BB11 5ST

Tel: 01282 834403

www.partscenter.co.uk

Newey & Eyre Specialists Products Division

Please contact your local branch

UK Spares Ltd.

Tower Lane, Warmley, Bristol BS30 8XT

Tel: 0117 961 6670

William Wilson Ltd.

Unit3A, 780 South Street, Whiteinch, Glasgow G14 0SY

Tel: 0141 4341530

HEATRAE SADIA

The quality name in water heating

Heatrae Sadia Heating
Hurricane Way Norwich NR6 6EA
www.heatraesadia.com

A division of BAXI GR●UP

Main No:	01603 420100
Main Fax:	01603 420218
Sales:	01603 420110
Sales Fax:	01603 420149
Service:	01603 420330
Service Fax:	01603 420349

36 00 5914
Issue G