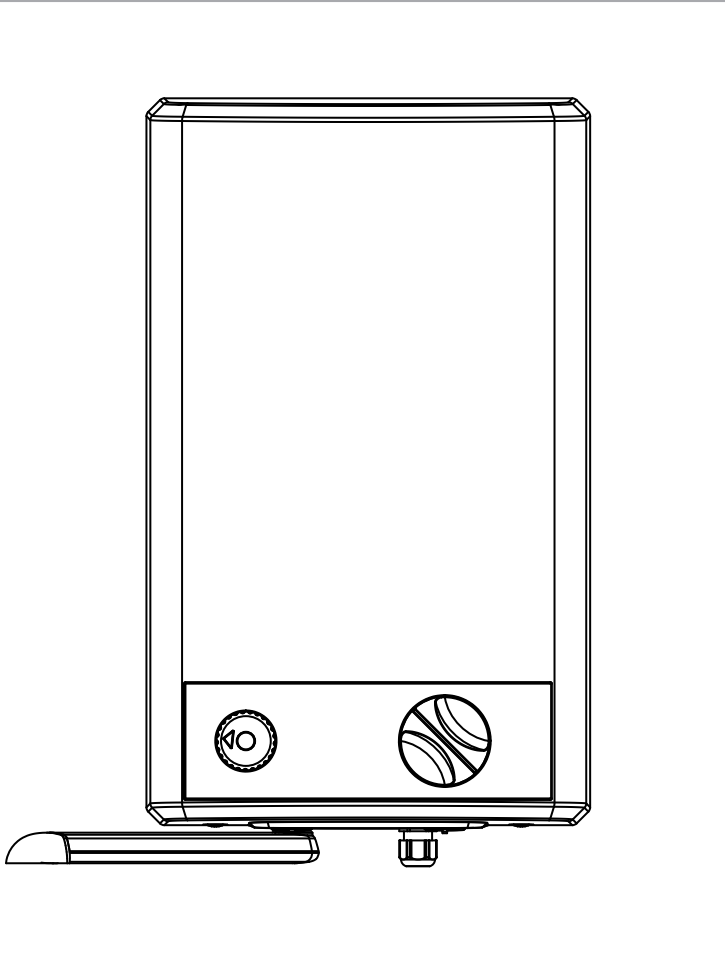




**HEATRAE SADIA**

The quality name in water heating



# STREAMLINE OVERSINK

## Fitting Instructions and User Guide





# CONTENTS

SECTION	PAGE
1.0 INTRODUCTION	3
2.0 TECHNICAL SPECIFICATIONS	4
3.0 INSTALLATION	6
4.0 COMMISSIONING	10
5.0 EXPLANATION TO USER	11
6.0 MAINTENANCE	12
7.0 FAULT FINDING	14
8.0 SPARE PARTS	15
9.0 GUARANTEE	17
10.0 ENVIRONMENTAL INFORMATION	17
11.0 COMMISSIONING RECORD	18
12.0 SERVICE RECORD	19
13.0 SPARES STOCKISTS	20





# 1.0 INTRODUCTION

Thank you for purchasing a Heatrae Sadia Streamline Oversink Vented Water Heater. The Streamline is manufactured in the UK to the highest standards and has been designed to meet all the latest relevant safety specifications.

## 1.1 IMPORTANT POINTS

The Streamline must be installed and commissioned by a competent person. Please read and understand these instructions before installing the Streamline. Following installation and commissioning, the operation of the Streamline should be explained to the user and these instructions left with them for future reference.

This appliance can be used by children aged from 8 years and above and persons with reduced physical, sensory or mental capabilities, or lack of experience and knowledge if they have been given supervision or instruction concerning the use of the appliance in a safe way and understand the hazards involved. Children shall not play with the appliance. Cleaning and user maintenance shall not be made by children without supervision.

## 1.2 PACK CONTENTS

Before commencing installation check that all the following components have been supplied with your Streamline Oversink Water Heater:

- Wall Mounting Bracket
- Fixing Plugs and Screws
- Spout
- Thermostat Knob
- Control Knob
- Control Knob Extension
- Flow Restrictor



## 2.0 TECHNICAL SPECIFICATIONS

Electrical Rating	1.0kW @ 240v / 0.9kW @ 230v~ 3.0kW @ 240v / 2.7kW @ 230v~
Capacity	7 and 10 litres
Weight (7 Litre)	3.6Kg (empty), 10.6Kg (full)
Weight (10 Litre)	4.0Kg (empty), 14.0Kg (full)
Enclosure rated	IPX4
Operating Pressure	0 MPa (0 bar)

TABLE 01: PERFORMANCE DATA

MODEL	HEAT UP (MINUTES)	HEAT LOSS (kWhr/24hr)
7 Litre 1kW	25	0.5
7 Litre 3kW	9	0.5
10 Litre 1kW	35	0.6
10 Litre 3kW	12	0.6

FIGURE 01: IMPORTANT FEATURES

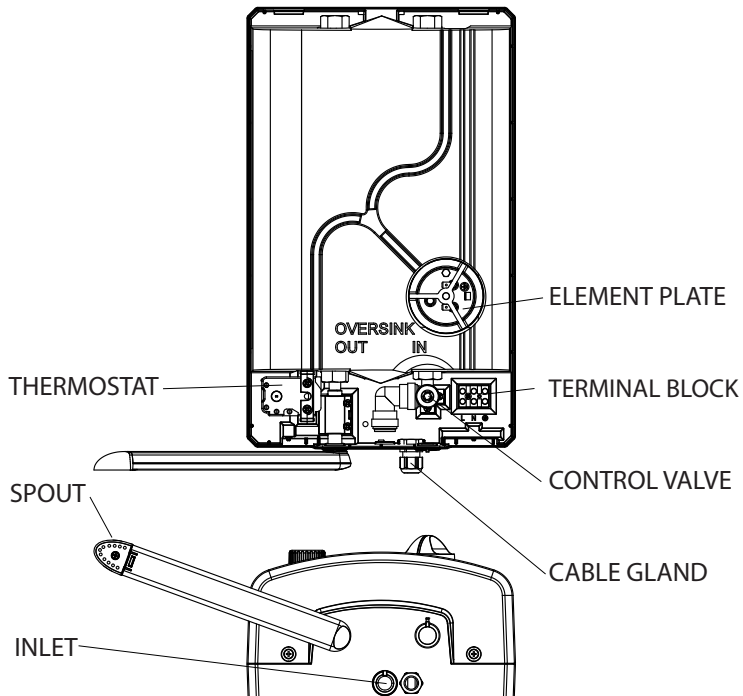
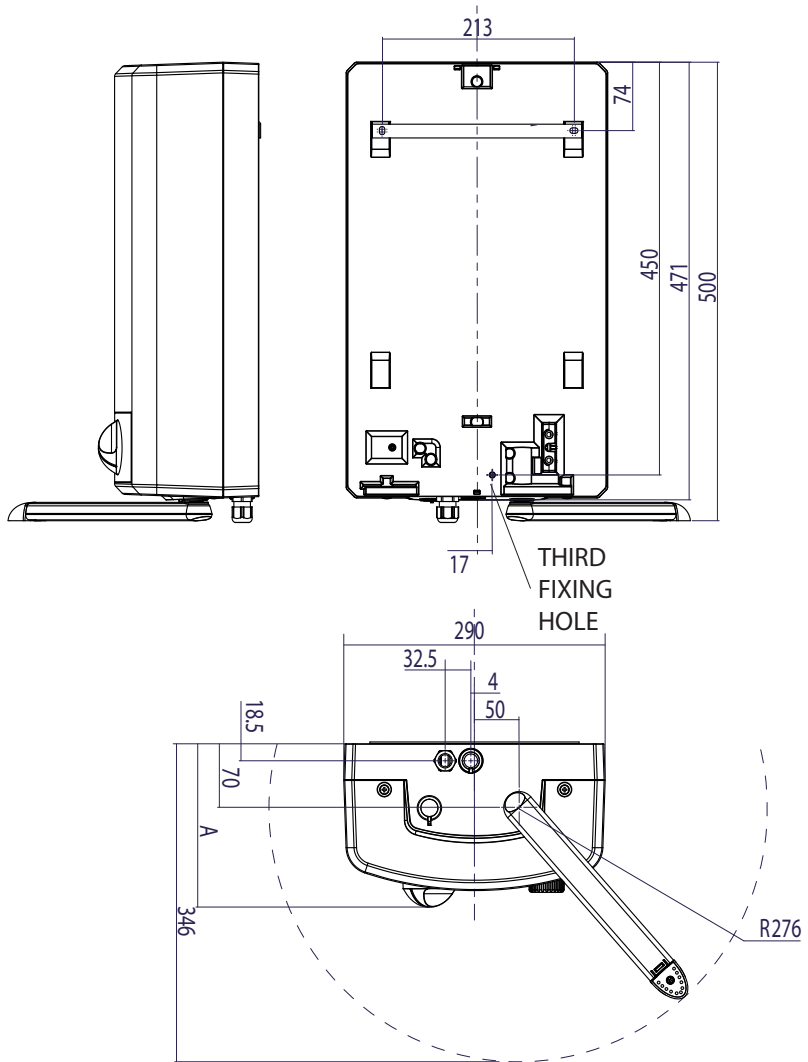


FIGURE 02: DIMENSIONS (IN mm)



DIMENSION A

7 LITRE	178
10 LITRE	278

### 3.0 INSTALLATION

**WARNING: THE STREAMLINE IS AN OPEN OUTLET WATER HEATER. THE OUTLET OF THE STREAMLINE ACTS AS A VENT AND MUST ONLY BE CONNECTED TO HEATRAE SADIA VENTED TAPS OR SPOUTS. THESE FITTINGS MUST NEVER BE BLOCKED, RESTRICTED OR MODIFIED, IN ANY WAY.**

#### 3.1 GENERAL

The Streamline must be vertically wall mounted using the wall bracket supplied. The water inlet connection must always be at the bottom of the Streamline on the right side.

#### 3.2 LOCATION

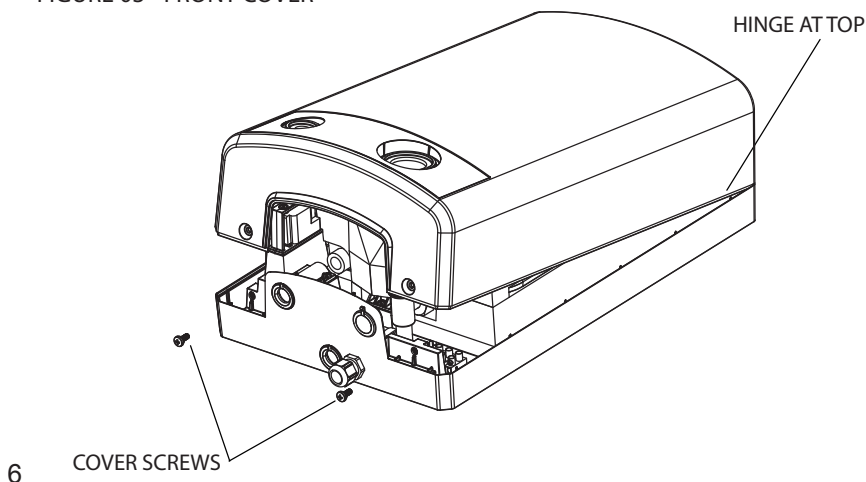
1. Ensure that the wall can support the full weight of the Streamline (see p.4) and that there are no hidden services (electricity, gas or water) below the surface of the wall.
2. DO NOT install the Streamline where it may freeze.
3. Allow 50mm access above and 100mm below for maintenance.

**NOTE:** National Wiring Rules may contain restrictions concerning the installation of the Streamline in bathrooms.

The installation must be carried out in accordance with the relevant requirements of:-

- The appropriate Building Regulations, either the Building Regulations, the Building Regulations (Scotland) or Building Regulations (Northern Ireland)
- The Water Supply (Water Fittings) Regulations in England & Wales or Water Byelaws in Scotland

FIGURE 03 - FRONT COVER



### 3.3 FIXING

1. Mark the position of the Streamline and the position of the fixing bracket (see Figure 02, p.5).
2. Fix the wall bracket using the two larger fixing plugs and screws provided
3. Remove the cover of the Streamline by removing the two screws from the bottom face and rotating the cover about the top edge.
4. Hang the Streamline on the wall bracket and mark the position of the fixing hole (see Figure 02, p.5)
5. Remove the Streamline from the bracket, drill the third fixing hole, and fit the third (smallest) fixing plug.
6. Hang the Streamline on the wall bracket again and fix securely with the third (smallest) fixing screw provided.

### 3.4 PLUMBING

1. Plumb the Streamline direct to the cold water main using 15mm diameter copper or plastic pipe. Water pressure should be no lower than 0.034MPa (0.34bar) and no higher than 1.0MPa (10bar) (see Figure 05, p.8)
2. Fit the flow restrictor (supplied) in the incoming supply (see Figure 04 below).
3. The inlet connection of the Streamline is an internal 15mm push fit elbow. Fit the incoming supply pipe through the grommet (snapped to the back plate) and in to the push fit elbow. The Streamline is supplied with three grommets fitted, two open and one closed. All three must remain seated to the backplate properly to prevent water ingress.

NOTE: It is recommended that a WRAS listed isolating valve (not supplied) is fitted in the cold water supply to the Streamline for servicing.

FIGURE 04 - FLOW RESTRICTOR

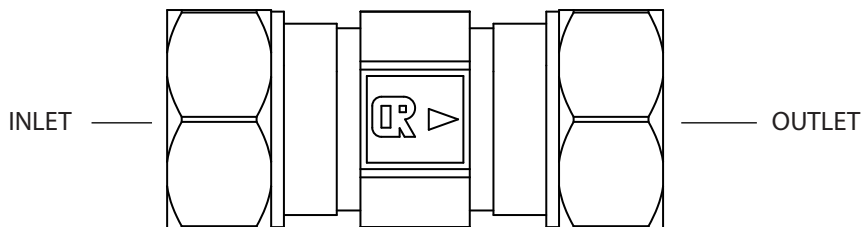
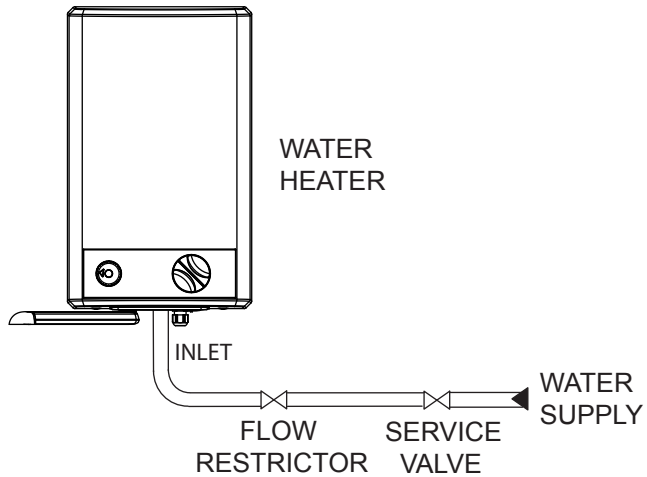


FIGURE 05 - PLUMBING DIAGRAM



### 3.5 SPOUT ASSEMBLY

1. Fit the 1/2" BSP nut to the inner container boss.
2. Remove the spout clamp.
3. Fit the spout through the back plate and grommet.
4. Re-fit the spout clamp (ensure the spout clamp ribs engage with the spout and hold it securely in place)
5. Tighten the 1/2" BSP nut.
6. Ensure the grommet is re-seated (snapped to the backplate)
7. Fit the spout front to the spout body (see Figure 07, p.9).

FIGURE 06: SPOUT

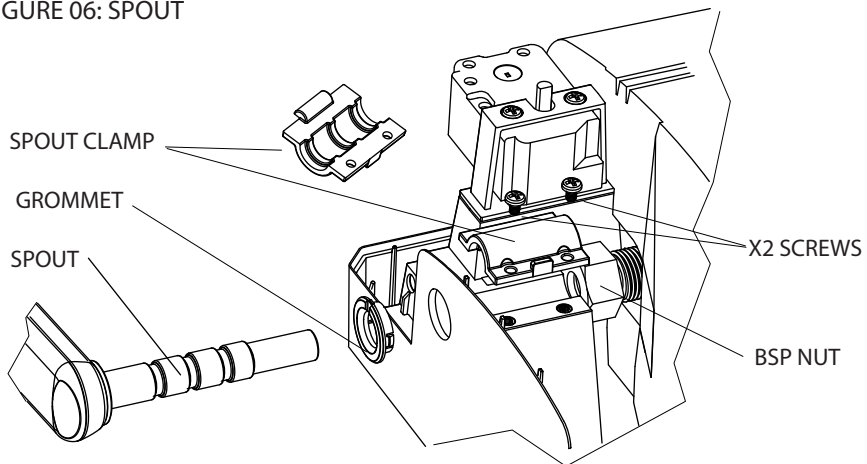
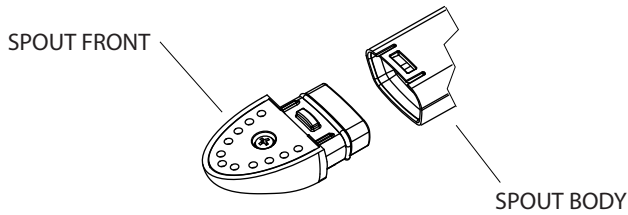




FIGURE 07: SPOUT FRONT



### 3.6 ELECTRICAL

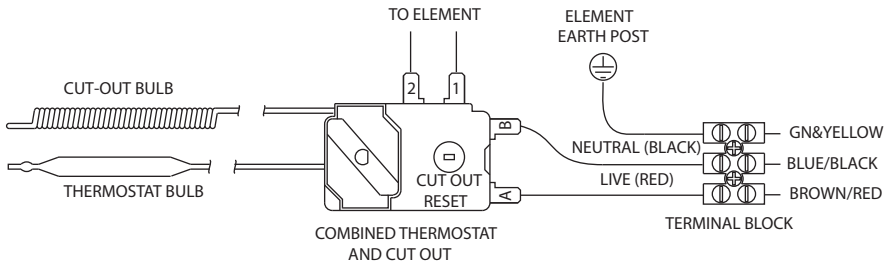
**WARNING: THIS APPLIANCE MUST BE EARTHED. IT IS SUITABLE FOR A.C. SUPPLY ONLY.**

ELECTRICAL INSTALLATION MUST BE CARRIED OUT BY A COMPETENT ELECTRICIAN AND BE IN ACCORDANCE WITH THE LATEST I.E.E. WIRING REGULATIONS.

ENSURE THE ELECTRICAL SUPPLY IS SWITCHED OFF BEFORE MAKING ANY CONNECTIONS TO THE STREAMLINE.

1. Connect the Streamline to a 230V or 240V a.c. earthed supply only.
2. A double pole isolating switch having a contact separation of at least 3mm in each pole must be incorporated in the supply.
3. The Streamline must be fitted with a 3 core 1.5mm<sup>2</sup> flexible cable. The cable must be fitted through the cable gland and connections made to the internal terminal block as follows:  
 BROWN or RED to terminal marked "L"  
 BLUE or BLACK to terminal marked "N"  
 GREEN/YELLOW or GREEN wire to terminal marked

FIGURE 08 - WIRING DIAGRAM



## 4.0 COMMISSIONING

DO NOT SWITCH ON THE ELECTRICAL SUPPLY UNTIL THE STREAMLINE HAS BEEN FILLED WITH WATER AND CHECKED FOR LEAKS.

1. Check all water and electrical connections are tight.
2. Check that the thermostat and cutout capillaries are located correctly in the element pockets.
3. Switch on the water supply and open the control valve. Fill the Streamline and leave the water flowing for a short while to flush out the pipework.
4. Close the control valve and check the system for leaks.
5. Refit the front cover and x2 securing screws.
6. Fit the thermostat knob (see Figure 09, below).
7. Fit the control valve extension (see Figure 10, p.11)
8. Fit the control valve knob (ensure the control knob is engaged with the control valve extension and snaps to the front cover).
9. Set the temperature. The maximum setting is 70°C and the minimum is 5°C. Rotate the thermostat knob clockwise to increase the temperature and anticlockwise to decrease the temperature. Settings above 60°C are recommended.
10. Switch the power on and check the water heats (see Table 1, p.4 for heat up times).
11. Check the temperature and adjust if needed.

### NOTE:

- The thermostat can be locked in position to set the water temperature to 40°C.
- Remove the locking screw from the inside of the front cover and refit it to the outside of the front cover (see Figure 09 below).
- Align the locking detail on the inside of the thermostat knob to the locking screw when fitting the thermostat knob in place.

FIGURE 09 - THERMOSTAT KNOB

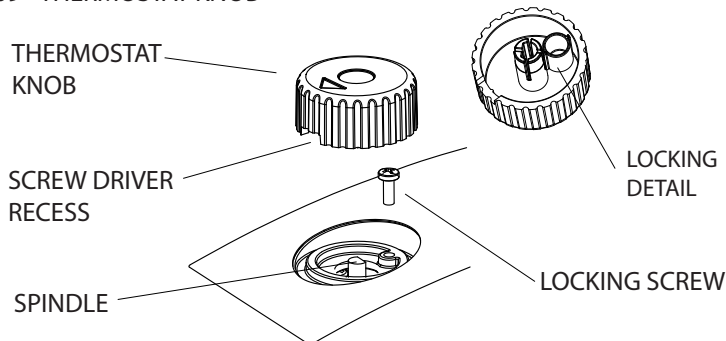
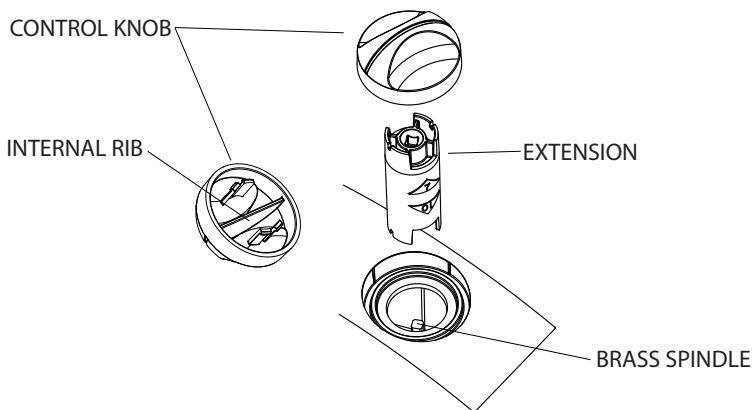




FIGURE 10: CONTROL KNOB ASSEMBLY



## 5.0 EXPLANATION TO USER

Following Installation and Commissioning of the water heater the operation should be fully explained to the user.

### 5.1 HOT WATER

1. Indicate the location of the water heater and identify the outlets to which it is connected.
2. Explain how to adjust the temperature and confirm whether the temperature is locked or not.
3. Explain that the water in the Streamline will expand during heating causing the tap to drip. This is normal and is not a fault with the Streamline.

### 5.2 SYSTEM MALFUNCTION

1. Explain how to isolate electrical and water supplies in case of a fault.
2. Explain that a qualified plumber and/or electrician should be contacted if there is a fault.
3. Explain how to identify/check basic faults.

### 5.3 SYSTEM MAINTENANCE

Explain the necessity to carry out regular maintenance of the water heater to ensure its continued safe and efficient operation.

### 5.4 LITERATURE

Leave the fitting instructions with the user.



## 6.0 MAINTENANCE

**WARNING: DISCONNECT FROM ALL ELECTRICAL SUPPLIES BEFORE BEGINNING ANY WORK ON THE STREAMLINE. WATER CONTAINED IN THE WATER HEATER MAY BE VERY HOT!**

To ensure the continued safe and efficient operation of the Streamline it should be regularly maintained.

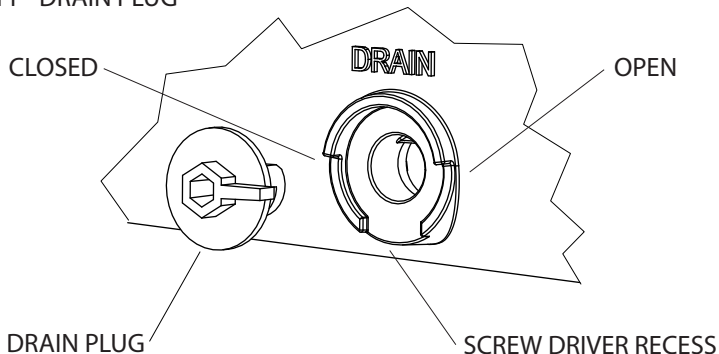
Maintenance should be carried out by a competent person and any replacement parts used should be Heatrae Sadia 'Streamline' spare parts.

Little maintenance is required, however in hard water areas the Streamline may require periodic descaling to ensure efficient operation.

### 6.1 DRAIN THE STREAMLINE

1. Ensure the water and power supplies to the Streamline are switched off and the water is cold.
2. Remove the thermostat knob (use a medium sized flat bladed screwdriver to carefully prise the thermostat knob from the front cover).
3. Remove the front cover (see section 3.3.3, p.7).
4. Disconnect the wires from the Element Plate Assembly (EPA).
5. Remove the capillary cut out and thermostat bulbs from the EPA.
6. Remove the front insulation.
7. Use a 5mm allen key to rotate the drain plug in an anti clockwise direction through 180 degrees.
8. Use a medium sized flat bladed screw driver to carefully prise the drain plug from the inner container.

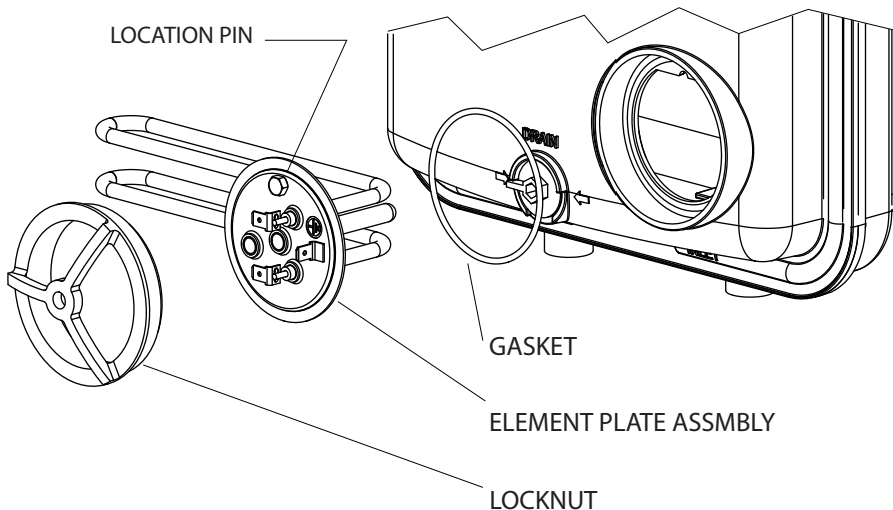
FIGURE 11 - DRAIN PLUG



## 6.2 DESCALE THE STREAMLINE

1. Drain the Streamline (see section 6.1, p.12).
2. Undo the locknut (rotate the locknut anticlockwise until it is clear of the inner container)
3. Remove the Element Plate Assembly (EPA) and gasket.
4. Remove scale from the element and the inner container.
5. Renew the gasket.
6. Refit to EPA and locknut to the inner container (ensure the EPA is aligned correctly. The element should be horizontal. A location pin is included in the EPA to ensure correct alignment).
7. Refit the locknut (rotate the locknut clockwise until the EPA is held securely in place). NOTE: When tight, one of the locknut spokes should be at '9 O' Clock' and central to the live and neutral connections.
8. Refit the drain plug (push the drain plug fully into the inner container and rotate clockwise 180 degrees using a 5mm allen key).
9. Refit the insulation.
10. Refit the wires and capillary bulbs (ensure the wires are re seated in the insulation tracks and the capillary cut out and thermostat bulbs are fully pushed home).
11. Recommission the Streamline (see section 4, p.10).

FIGURE 12 - ELEMENT PLATE ASSEMBLY





## 7.0 FAULT FINDING

**WARNING: DISCONNECT FROM ALL ELECTRICAL SUPPLIES BEFORE BEGINNING ANY WORK ON THE WATER HEATER. WATER CONTAINED IN THE WATER HEATER MAY BE VERY HOT!**

The Streamline should give trouble free operation, however if a problem occurs, the table below should enable most faults to be identified with ease.

Fault finding should be carried out by a competent person and any replacement parts used should be authorised Heatrea Sadia spare parts.

TABLE 02: FAULT FINDING

SYMPTOM	PROBABLE CAUSE	ACTION
No water	Mains water not turned on.	Check supply and turn on.
	Insufficient mains pressure.	Check supply.
	Blockage in tap.	Clean tap.
No hot water	No water in heater.	Fill water heater.
	Cut out has operated.	Reset cut out.
	Faulty thermostat.	Replace thermostat.
	Faulty element.	Replace element.
Water is too hot	Thermostat is set too high.	Adjust thermostat.
	Faulty thermostat.	Replace thermostat.

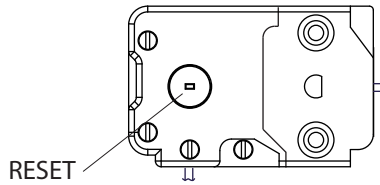
**NOTE: THE WATER IN THE STREAMLINE WILL EXPAND DURING HEATING CAUSING THE TAP TO DRIP. THIS IS NORMAL AND IS NOT A FAULT WITH THE STREAMLINE.**

### 7.1 CUT OUT RESET

1. Disconnect the electrical supply.
2. Remove the front cover (see section 3.3.3, p.6).
3. Depress the red button (see figure 13, p.15).
4. Recommission the Streamline (see section 4, p.10).
5. If the cut out continues to operate contact the Heatrea Sadia Service Team (see p20 for contact details).



FIGURE 13 - OVER TEMPERATURE CUT OUT



## 8.0 SPARE PARTS

The following comprehensive list of spare parts is available for your Streamline.

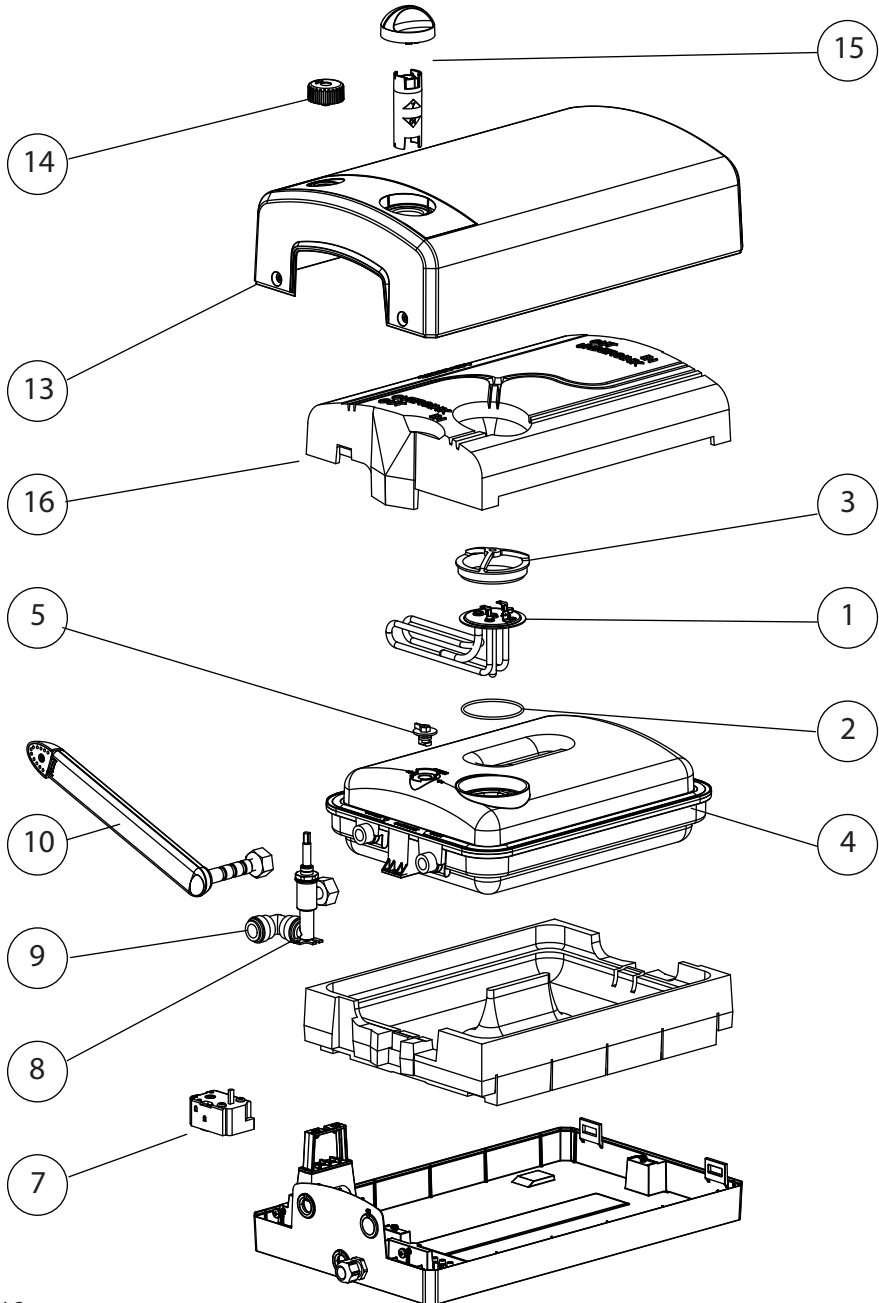
Please refer to the rating label bottom face of the Streamline before ordering to ensure the correct spare part is obtained.

**DO NOT REPLACE WITH PARTS NOT RECOMMENDED BY HEATRAE SADIA. THIS WILL INVALIDATE YOUR GUARANTEE AND MAY RENDER THE INSTALLATION DANGEROUS.**

1	1kW Element Plate (with O ring)	95606917
1	3kW Element Plate (with O ring)	95606918
2	EPA O Ring (pack of 10)	95611018
3	EPA Locknut	95607617
4	7 Litre Inner Container	95608028
4	10 Litre Inner Container	95608029
5	Drain Plug (with O ring)	95608929
6	Drain Plug O Ring (pack of 10) - not shown	95611017
7	Thermostat	95612647
8	Control Valve Assembly	95607618
9	Pushfit Elbow	95607510
10	Spout Assembly	95604011
11	Spout Washer (pack of 10) - not shown	95611019
12	Spout O Ring (pack of 10) - not shown	95611020
13	7 Litre Front Cover (Oversink)	95614301
13	10 Litre Front Cover (Oversink)	95614303
14	Thermostat Knob	95605091
15	Control Valve Knob (with extension)	95605092
16	7 Litre Insulation Set	95607330
16	10 Litre Insulation Set	95607331
17	M4x6 Screws (pack of 10) - not shown	95607620
18	Flow restrictor valve - not shown	95605904



FIGURE 14: SPARE PARTS





## 9.0 GUARANTEE

This Streamline is guaranteed for a period of two years from the date of purchase provided:

1. The Streamline has been installed in accordance with these instructions and all necessary inlet, vent and electrical connections have been fitted correctly.
2. Any valves or controls are of Heatrae Sadia recommended type.
3. The Streamline has not been tampered with and has been regularly maintained.
4. The Streamline has been used only for heating potable water.

The Streamline is not guaranteed against damage by frost or due to the build up of scale.

Please note that if Heatrae Sadia personnel or agents are requested to descale the Streamline, this work will be chargeable.

This guarantee does not affect the statutory rights of the consumer.

## 10.0 ENVIRONMENTAL INFORMATION

This product is manufactured from many recyclable materials. At the end of its useful life it should be disposed of at a Local Authority Recycling Centre.

Supplier's name or trade mark	Streamline			
Supplier's model identifier	7/1 OS	7/3 OS	10/1 OS	10/3 OS
Storage volume V in litres	7.0	7.0	10.0	10.0
Mixed water at 40°C V40 in litres	11	11	15	15
The declared load profile	XXS	XXS	XXS	XXS
The water heating energy efficiency class of the model	C	C	C	C
The water heating energy efficiency in %	29.0	29.0	29.0	29.0
The annual electricity consumption in kWh	595	595	635	635
Daily fuel consumption in kWh	2.89	2.89	3.130	3.130
The thermostat temperature settings of the water heater, as placed on the market by the supplier	60°C			
Specific precautions that shall be taken when the water heater is assembled, installed or maintained and disposed of at end of life	See Section 2 to 7			

Table: Technical parameters in accordance with European Commission regulations 814/2013 and 812/2013



# 11.0 COMMISSIONING RECORD

Installation Date: \_\_\_\_\_  
 Model and Serial Number: \_\_\_\_\_  
 Installer (Plumbing): \_\_\_\_\_  
 Contact Details: \_\_\_\_\_  
 Competency Scheme & ID Number: \_\_\_\_\_  
 Installer (Electrical): \_\_\_\_\_  
 Contact Details: \_\_\_\_\_  
 Competency Scheme & ID Number: \_\_\_\_\_  
 Comments: \_\_\_\_\_  
 \_\_\_\_\_  
 \_\_\_\_\_

Mains supply pressure and flow rate	
Isolation valve fitted	
Flow reducer fitted	
Pipework checked for leaks	
Pipework bonded	
Electrical connections checked	
Thermostat locked	
Thermostat setting	
Water Temperature	





# 12.0 SERVICE RECORD

Service Date: \_\_\_\_\_  
 Engineer: \_\_\_\_\_  
 Contact Details: \_\_\_\_\_  
 Competency Scheme & ID Number: \_\_\_\_\_  
 Comments: \_\_\_\_\_  
 \_\_\_\_\_  
 \_\_\_\_\_

Service Date: \_\_\_\_\_  
 Engineer: \_\_\_\_\_  
 Contact Details: \_\_\_\_\_  
 Competency Scheme & ID Number: \_\_\_\_\_  
 Comments: \_\_\_\_\_  
 \_\_\_\_\_  
 \_\_\_\_\_

Service Date: \_\_\_\_\_  
 Engineer: \_\_\_\_\_  
 Contact Details: \_\_\_\_\_  
 Competency Scheme & ID Number: \_\_\_\_\_  
 Comments: \_\_\_\_\_  
 \_\_\_\_\_  
 \_\_\_\_\_

Service Date: \_\_\_\_\_  
 Engineer: \_\_\_\_\_  
 Contact Details: \_\_\_\_\_  
 Competency Scheme & ID Number: \_\_\_\_\_  
 Comments: \_\_\_\_\_  
 \_\_\_\_\_  
 \_\_\_\_\_





## 13.0 SPARES STOCKISTS

For the fast and efficient supply of spares please contact the stockists listed below.

Advanced Water Company Ltd.  
Unit D5 Enterprise Way  
Vale Park, Evesham  
Worcs, WR11 1GS  
Tel: 01386 760066  
Fax: 01386 760077

Electric Water Heating Co.  
2 Horsecroft Place, Pinnacles  
Harlow, Essex, CM19 5BT  
Tel: 0845 0553811  
E-Mail: [sales@ewh.co.uk](mailto:sales@ewh.co.uk)

SPD  
Units 9 & 10 Hexagon Business Centre  
Springfield Road, Hayes  
Middlesex, UB4 0TY  
Tel: 020 8606 3567

Parts Center  
Tel: 0845 2709800  
[www.partscenter.co.uk](http://www.partscenter.co.uk)

Newey & Eyre  
Unit 3/4/5 Wassage Way  
Hampton Lovett Industrial Estate  
Droitwich, Worcestershire WR9 0NX  
Tel: 01905 791500  
Fax: 01905 791501

UK Spares Ltd  
Unit 1155 Aztec West  
Almondsbury, Bristol BS32 4TF  
Tel: 01454 620500

Alternatively, contact your local supplying merchant or wholesale branch.

---

### **HEATRAE SADIA**

The quality name in water heating

Heatrae Sadia Heating  
Hurricane Way Norwich NR6 6EA  
[www.heatraesadia.com](http://www.heatraesadia.com)

Service: 0344 8711535  
Service Fax: 0344 8711528  
E-mail: [customer.support@heatraesadia.com](mailto:customer.support@heatraesadia.com)

