

Aerheat Electric Panel Heaters

Fitting Instructions and User Guide

CONTENTS	PAGE
1.0 INTRODUCTION	2
2.0 TECHNICAL SPECIFICATION	2
3.0 INSTALLATION	3
4.0 EXPLANATION TO USER	4
5.0 MAINTENANCE	5
6.0 FAULT FINDING	5
7.0 GUARANTEE	5
8.0 ENVIRONMENTAL INFORMATION	5
9.0 SPARES STOCKISTS	8

1.0 INTRODUCTION

Thankyou for purchasing this Heatrae Sadia Aerheat panel heater. The Aerheat panel heater has been manufactured in the UK to the highest standards and has been designed to meet all the latest relevant safety specifications.

The Aerheat panel heater should be installed and maintained by a competent person. Please read and understand these instructions prior to installing the Aerheat panel heater.

Following installation and commissioning, the operation of the Aerheat panel heater should be explained to the user and these instructions left with them for future reference.

The Aerheat panel heater is not intended for use by persons (including children) with reduced physical, sensory or mental capabilities, or lack of experience or knowledge, unless they have been given supervision or instruction concerning the use of the Aerheat panel heater by a person responsible for their safety.

Children should be supervised to ensure they do not play with the Aerheat panel heater.

2.0 TECHNICAL SPECIFICATIONS

Voltage	230V - 240V~	Electrical class	1
Frequency	50Hz - 60Hz	Ingress Protection	IPX4
Rated Power	See Table 1	Dimensions	See Figure 01 & Table 01

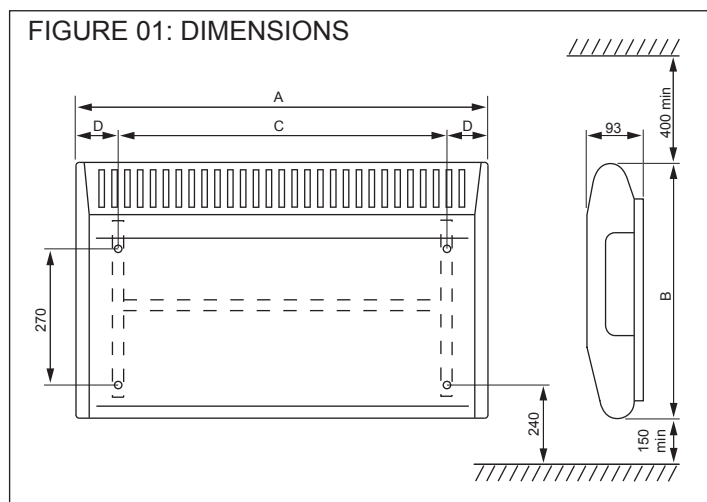


TABLE 01: MODEL SPECIFICATION

Model	Watts	Thermostat	Thermostat & Timer	Stainless Steel	Dimensions			
					A	B	C	D
A050	500	■			442	430	196	123
A075	750	■			442	430	196	123
A100	1000	■			614	430	364	125
A125	1250	■			614	430	364	125
A150	1500	■			680	430	448	116
A200	2000	■			852	430	616	118
A050TI	500		■		442	430	196	123
A075TI	750		■		442	430	196	123
A100TI	1000		■		614	430	364	125
A125TI	1250		■		614	430	364	125
A150TI	1500		■		680	430	448	116
A200TI	2000		■		852	430	616	118
A050SS	500	■		■	442	430	196	123
A075SS	750	■		■	442	430	196	123
A100SS	1000	■		■	614	430	364	125
A125SS	1250	■		■	614	430	364	125
A150SS	1400	■		■	680	430	448	116
A200SS	2000	■		■	852	430	616	118
A050TISS	500		■	■	442	430	196	123
A075TISS	750		■	■	442	430	196	123
A100TISS	1000		■	■	614	430	364	125
A125TISS	1250		■	■	614	430	364	125
A150TISS	1400		■	■	680	430	448	116
A200TISS	2000		■	■	852	430	616	118

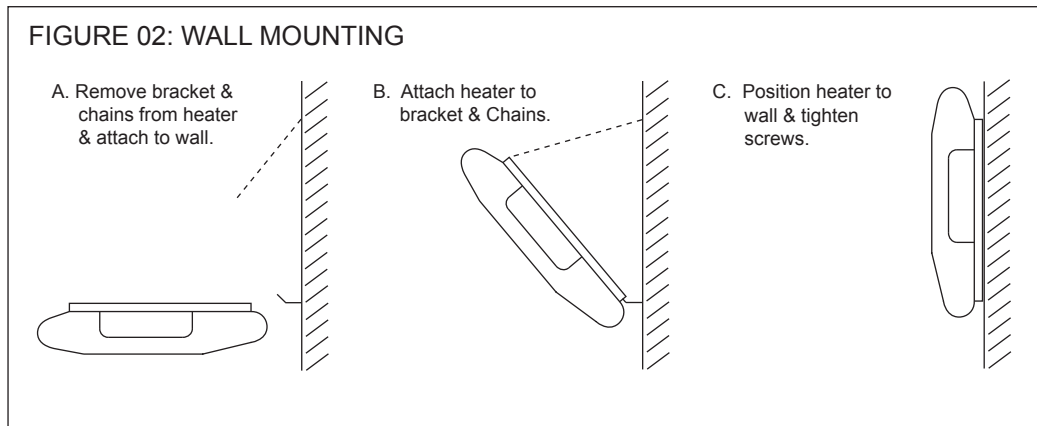
3.0 INSTALLATION

3.1 IMPORTANT SAFETY GUIDANCE

- 3.1.1 The surfaces of the heater can be extremely HOT in operation.
- 3.1.2 Avoid touching the heater and prohibit possible contact where aged, infirmed or children are present by use of a suitable fire guard.
- 3.1.3 Observe the DO NOT COVER warning label on the appliance. Do not drape clothing or materials over the heater and never obstruct the air inlet or heater outlet grilles.
- 3.1.4 Do not mount the heater within 150mm of combustibile materials e.g. curtains, blinds, floors or within 400mm of overhanging shelves etc.
- 3.1.5 Always switch the heater off before cleaning or servicing.
- 3.1.6 The heater must not be located immediately below a socket outlet.

3.2 LOCATION

- 3.2.1 Remove the wall bracket from the Aerheat panel heater, with the chains attached, by removing the two screws from the top of the rear panel.
- 3.2.2 Fix the wall bracket to the wall through the four wall bracket holes using suitable wall fixings. (Not supplied).
- 3.2.3 Present the Aerheat panel heater to the wall bracket.
- 3.2.4 Locate the two slots in the rear panel on to the bottom lugs of the wall bracket. Hinge the Aerheat panel heater upwards and replace the screws and link plates of the chain, then move the Aerheat panel heater to the upright position. The link plates should slide under the slotted bracket lip.
- 3.2.5 Tighten both retaining screws.



3.3 ELECTRICAL

Warning: this appliance must be earthed. It is suitable for a.c. supply only.

Electrical installation must be carried out by a competent electrician and be in accordance with the latest I.E.E. wiring regulations.

Ensure the electrical supply is switched off before making any connections to the unit.

3.3.1 The Aerheat panel heater is supplied fitted with a 2 metre, 3 core, 1.0mm² flexible cable.

The electricity supply should be fused 13 Amp and be via a double pole isolating switch with a contact separation of at least 3mm in both poles. The Aerheat panel heater should not be connected via a plug.

3.3.2 The wires are colour coded as follows:

Green and Yellow	EARTH	⊕
Brown	LIVE	(L)
Blue	NEUTRAL (N)	

4.0 EXPLANATION TO USER

The Aerheat panel heater controls are located within a door on the right hand side.

4.1 THERMOSTAT CONTROL

4.1.1 When the Aerheat panel heater is connected to the mains and is switched 'ON', the neon on the front of the unit will illuminate.

4.1.2 To set the temperature level for the room, rotate the thermostat to the desired temperature setting. The higher the number, the higher the temperature. Once set, it is unlikely that it will have to be adjusted again.

4.1.3 To set the Aerheat panel heater on full power mode, ensure both heat switches are turned on. For half power mode, select just one switch. (N.b. Half power mode is not available on 500W models.)

4.2 Timer Control

4.2.1 If a timer is fitted, the dial should be rotated clockwise until the arrow head is pointing to the correct time on the 24 hour clock face.

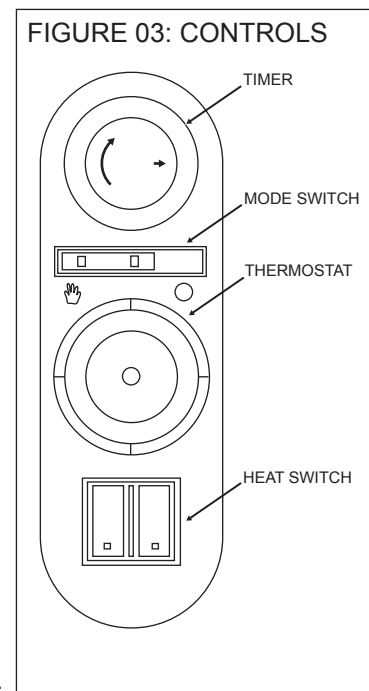
4.2.2 For timer controlled operation, move the mode switch to the symbol showing a clock face.

4.2.3 The 24 hour timer can be set to a number of 'ON/OFF' combinations. Move the black segments outwards to indicate the 'ON' period. Each segment represents 20 minutes of 'ON' time. The segments which are left pushed inwards represent the 'OFF' time.

4.2.4 These set times will repeat every 24 hours unless they are changed.

4.3 MANUAL OPERATION

4.3.1 For manual operation, move the switch to the symbol showing a hand. The Aerheat panel heater will now run continuously, controlled by the thermostat.



4.4 OVER TEMPERATURE PROTECTION

4.4.1 The Aerheat panel heater is fitted with an Electronic Safety (ES) Control. This is a device which switches the Aerheat panel heater OFF, if for any reason the unit overheats. The ES control can be re-set after the Aerheat panel heater has cooled down. To re-set the ES control, the following steps must be followed:

- Switch the Aerheat panel heater OFF and leave for about 5 minutes.
- Switch the Aerheat panel heater back ON and the ES control will re-set.
- Check the Aerheat panel heater is working correctly. If the ES control operates again, the unit should be checked by a competent electrician.

4.4.2 To avoid a hazard due to inadvertent resetting of the thermal cut-out, the Aerheat panel heater must NOT be wired through an external timer or connected to a circuit that is regularly switched on and off by the utility.

5.0 MAINTENANCE

- 5.1 Always switch OFF the Aerheat panel heater from the mains before cleaning.
- 5.2 The Aerheat panel heater should not require any maintenance, however, it is advised that the Aerheat panel heater is kept clean. An occasional wipe over with a soft cloth should be more than sufficient.
- 5.3 DO NOT use any abrasive substances on the surface of the Aerheat panel heater.
- 5.4 DO NOT use metal or furniture polish on any part of the Aerheat panel heater.
- 5.5 DO NOT use wet cloths, or in any way bring water into contact with the Aerheat panel heater.
- 5.6 If the supply cord is damaged, the Aerheat panel heater should be switched off until the supply cord can be replaced by a competent electrician or a Heateam Engineer in order to avoid a hazard. The supply cord should be replaced using spare part 95607312 only.

6.0 FAULT FINDING

IF YOUR HEATER DOES NOT WORK:

- 6.1 Check your Aerheat panel heater has power available. The neon light should be illuminated when the Aerheat panel heater is switched ON.
- 6.2 Check the Aerheat fuse (located on the right hand side of the back panel).
- 6.3 Check the thermal cut-out has not operated. Follow the re-set steps to check. (Section 6.1)
- 6.4 Check the fused spur has not blown.
- 6.5 Check the main consumer unit has not tripped.
- 6.6 Should none of these suggestions work, then please call the service number supplied on this manual.
- 6.7 Do not attempt to repair the heater

7.0 GUARANTEE

THE AERHEAT PANEL HEATER IS GUARANTEED FOR TWO YEARS FROM THE DATE OF PURCHASE PROVIDED THAT:

- 7.1 The Aerheat panel heater has been installed in accordance with these instructions and all relevant Codes of Practice and Regulations in force at the time.
- 7.2 The Aerheat panel heater has not been tampered with in any way.
- 7.3 The correct electricity supply is used as specified on the ratings label attached to the Aerheat panel heater.

This guarantee does not affect the statutory rights of the consumer.

8.0 ENVIRONMENTAL INFORMATION

This product is manufactured from many recyclable materials. At the end of its useful life, it should be disposed of at a Local Authority Recycling Centre in order to realise the full environmental benefits. The Aerheat panel heater does not contain any substances harmful to health; it does not contain any asbestos.



NOTES

NOTES

9.0 SPARES STOCKISTS

For the fast and efficient supply of spares, please contact the stockists listed below:

Advanced Water Company Ltd.
Unit D5 Enterprise way
Vale park, Evesham
Worcs, WR11 1GS
Tel: 01386 760066
Fax: 01386 760077

Electric Water Heating Co.
2 Horsecroft Place, Pinnacles
Harlow, Essex, CM19 5BT
Tel: 0845 0553811
E-Mail: sales@ewh.co.uk

SPD
Units 9 & 10 Hexagon Business Centre
Springfield Road, Hayes
Middlesex, UB40 0TY
Tel: 020 8606 3567

Parts Center
Tel: 0845 2709800
www.partscenter.co.uk

Newey & Eyre
Specialist Products Division
Please contact your local branch

UK Spares Ltd.
Tower Lane, Warmley
Bristol, BS30 8XT
Tel: 0117 961 6670

William Wilson Ltd.
Unit 3A, 780 South Street
Whiteinch, Glasgow, G14 OSY
Tel: 0141 434 1530

HEATRAE SADIA

The quality name in water heating

Heatrae Sadia Heating
Hurricane Way Norwich NR6 6EA
www.heatraesadia.com

A division of **BAXI GROUP** © 2010

Customer Service

Tel: 0844 8711535
Fax: 0844 8711528
E-mail: heatraesadiaservice@heateam.co.uk

36005972_issue_04