

DATA SHEET

PremierPlus Indirect

UNVENTED HOT WATER CYLINDER

The Heatrae Sadia Premier Plus Indirect range of unvented cylinders are designed to offer a cost effective, simple to install solution where electricity is the fuel of choice.

The range provides a model to suit virtually all domestic requirements from apartments to detached properties. A high performance coil delivers fast heat recovery.



170-300
Litres

NOMINAL CAPACITIES

6kW

BACK UP IMMERSION HEATER

50
mm

INSULATION

FEATURES

50mm insulation

Domestic hot water expansion vessel supplied

High grade duplex stainless steel

Provided with a 3kW immersion heater

BENEFITS

Low heat loss from the cylinder

12, 18, 24 litres depending on capacity

High corrosion resistance for long life

For back-up heat input

PremierPlus Indirect

UNVENTED HOT WATER CYLINDER

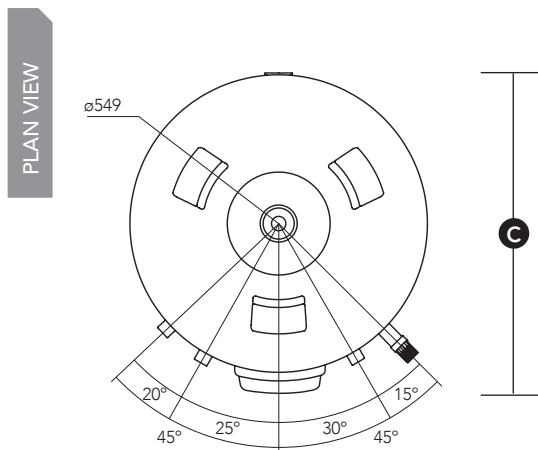
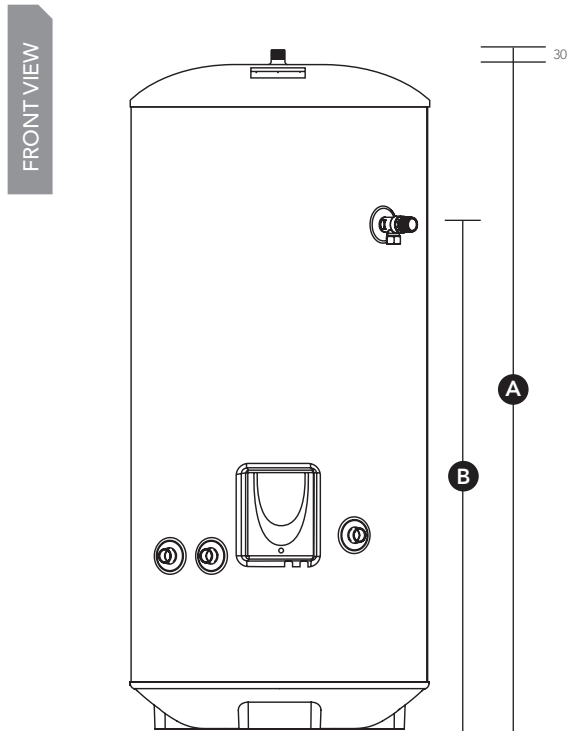
TECHNICAL SPECIFICATION

Model	100i	120i	150i	170i	210i
Product code	94:050:809	94:050:810	94:050:811	94:050:812	94:050:813
Nominal capacity (litres)	100	120	150	170	210
Insulation thickness (mm)	50	50	50	50	50
Expansion vessel (litres)	12	12	12	18	18
Immersion heater rating (kW)	1 x 3	1 x 3	1 x 3	1 x 3	1 x 3
Weight empty (kg)	25	27	31	33	41
Weight full (kg)	125	147	181	203	251
Coil surface area (m2)	0.43	0.43	0.55	0.61	0.68
Coil heat transfer primary flow 15l/min (kW)*	15.2	15.4	15.9	17.3	19.2
Standing heat loss (kWh/24h)	1.14	1.25	1.45	1.63	1.91
Standing heat loss (kWh/year)	416.1	456.3	529.3	595	697.2
T&P tapping	½"	½"	½"	½"	½"
T&P pressure setting (bar)	1MPa (10)	1MPa (10)	1MPa (10)	1MPa (10)	1MPa (10)
T&P temperature sensor (°C)	90	90	90	90	90
Expansion relief setting (bar)	0.6MPa (6)	0.6MPa (6)	0.6MPa (6)	0.6MPa (6)	0.6MPa (6)
Heat up time (from cold) (mins)	24	24	29	30	34
Max direct kW rating @240v	3	3	3	3	3
Direct heat time (based on max kW rating in mins)	99	121	152	173	215
Max supply pressure (bar)	1.6MPa (16)	1.6MPa (16)	1.6MPa (16)	1.6MPa (16)	1.6MPa (16)
Max design pressure (bar)	0.8MPa (8)	0.8MPa (8)	0.8MPa (8)	0.8MPa (8)	0.8MPa (8)
Max operating pressure (PRV) (bar)	0.35MPa (3.5)	0.35MPa (3.5)	0.35MPa (3.5)	0.35MPa (3.5)	0.35MPa (3.5)
Max expansion vessel charge pressure (bar)	0.35MPa (3.5)	0.35MPa (3.5)	0.35MPa (3.5)	0.35MPa (3.5)	0.35MPa (3.5)
Re-heat times 3kW (mins)	99	121	152	173	215
Max. Primary Pressure (coil) (bar)	10	10	10	10	10
Primary Flow rate (boiler l/min)	15	15	15	15	15
Primary Coil Resistance @ 15lpm (bar)	0.02MPa (0.2)	0.02MPa (0.2)	0.02MPa (0.2)	0.02MPa (0.2)	0.02MPa (0.2)
Max. primary work pressure (bar)	0.35MPa (3.5)	0.35MPa (3.5)	0.35MPa (3.5)	0.35MPa (3.5)	0.35MPa (3.5)

ERP TECHNICAL DATA

The water heating energy efficiency class of the model	B	B	C	C	C
--	---	---	---	---	---

250i	250i 6KW	300i	300i 6KW
94:050:814	94:050:815	94:050:816	94:050:817
250	250	300	300
50	50	50	50
24	24	24	24
1 x 3	2 x 3	1 x 3	2 x 3
50	51	60	61
300	301	360	361
0.68	0.68	0.68	0.68
18.6	18.6	18.8	18.8
2.03	2.03	2.36	2.36
741.0	741.0	861.4	861.4
½"	½"	½"	½"
1MPa (10)	1MPa (10)	1MPa (10)	1MPa (10)
90	90	90	90
0.6MPa (6)	0.6MPa (6)	0.6MPa (6)	0.6MPa (6)
42	42	49	49
3	9	3	9
257	88	310	105
1.6MPa (16)	1.6MPa (16)	1.6MPa (16)	1.6MPa (16)
0.8MPa (8)	0.8MPa (8)	0.8MPa (8)	0.8MPa (8)
0.35MPa (3.5)	0.35MPa (3.5)	0.35MPa (3.5)	0.35MPa (3.5)
0.35MPa (3.5)	0.35MPa (3.5)	0.35MPa (3.5)	0.35MPa (3.5)
257	257	310	310
10	10	10	10
15	15	15	15
0.02MPa (0.2)	0.02MPa (0.2)	0.02MPa (0.2)	0.02MPa (0.2)
0.35MPa (3.5)	0.35MPa (3.5)	0.35MPa (3.5)	0.35MPa (3.5)
C	C	C	C



DIMENSIONS

Model	100i	120i	150i	170i	210i	250i	250i 6kW	300i	300i 6kW
A Height (mm)	784	906	1090	1216	1474	1726	1726	2040	2040
B T&P Valve (mm)	500	616	800	927	1184	1439	1439	1754	1754
C Depth (mm)	588	588	588	588	588	588	588	588	588

CODES OF PRACTICE/LEGISLATION

EU Directives:

- Pressure Equipment Directive 97/23/EC.
- Low Voltage Directive (LVD) 2014/30/EU.
- Electromagnetic Compatibility (EMC) Directive 2014/35/EU.
- RoHS (Restriction of use of certain Hazardous Substances) Directive 2011/65/EU.

Legislation:

- Building Regulations Part G and Part L (England and Wales).
- Scottish Building Standards Section 4 and Section 6.
- Building Regulations (Northern Ireland) Parts F1 and F2 and Part P.
- Water Supply (Water Fittings) Regulations (England and Wales).
- The Water Byelaws 2004 (Scotland).
- Water Supply (Water Fittings) Regulations (Northern Ireland).

Standards:

- Relevant clauses of the following standards are complied with:
- EN 12897 - Specification for indirectly heated unvented cylinders.
- EN 60335-1 Safety-Particular requirements for storage water heaters.
- EN 60335-2 Safety-Particular requirements for storage water heaters.

The stainless steel materials used comply with the relevant clauses of:

- EN 10088 - Technical delivery conditions for sheet/plate and strip of corrosion resisting steels for general purposes.

Components supplied comply with the following standards:

- BS EN 1490 Building Valves - Combined Temperature and Pressure Relief Valves.
- BS EN 1491 Building Valves - Expansion Valves.
- BS 6144 Specification for Expansion Vessels Using An Internal Diaphragm

For Unvented Water Supply Systems.

- BS EN 1567 Building Valves - Water Pressure Reducing Valves and Combination

Reducing Valves:

- BS EN 60730-1 Automatic Electrical Controls - For households and similar use.

Part 1: General Requirements.

- BS EN 60730-2-8 Automatic Electrical Controls - Particular Requirements for Electrically Operated Water Valves.
- BS EN 13959 Anti-pollution Check Valves.

The use of these water heaters will aid in compliance with:

- Health and Safety Executive Approved Code of Practice L8: The control of legionella bacteria in water systems.
- BS EN 806 Parts 1 to 5: Specification for installations inside buildings conveying water for human consumption.
- BS 8558 Guide to the design, installation, testing and maintenance of services supplying water for domestic use within buildings.
- Chartered Institute of Building Services Engineers Guide B and Guide F.

Manufactured in a factory approved to:

- BS EN ISO 9001
- OHSAS 18001
- ISO 14001
- ISO 50001

PremierPlus Indirect approvals:

- Kiwa Certification Number: 1207700
- Nemko Certification Number: P12215506



For more information
01603 420220 | enquiries@heatraesadia.com
www.heatraesadia.com



Please recycle this product once you have finished with it

Issue 2
© Heatrae Sadia 2017

Heatrae Sadia, Hurricane Way, Norfolk, NR6 6EA

HEATRAE SADIA may introduce modifications to their products from time to time. Consequentially the details given in this data sheet are subject to alteration without notice.