

DATA SHEET

PremierPlus Direct

UNVENTED HOT WATER CYLINDER

The Heatrae Sadia PremierPlus Direct range of unvented cylinders are designed to offer a cost effective and easy to install solution where electricity is the fuel of choice.

The range delivers a model to suit virtually all domestic requirements from apartments to detached properties. With a choice of immersion heater combinations to deliver hot water quickly and efficiently.



100-300
Litres

NOMINAL CAPACITIES

50
mm

INSULATION

Up to
9kW

IMMERSION HEATERS

FEATURES

50mm insulation

Long life 3kW elements

High grade duplex stainless steel

Cold water combination valve

BENEFITS

Low heat loss from the cylinder

Matched to cylinder capacity

High corrosion resistance for long life

Allows for balanced hot and cold water supplies

PremierPlus Direct

UNVENTED HOT WATER CYLINDER

TECHNICAL SPECIFICATION

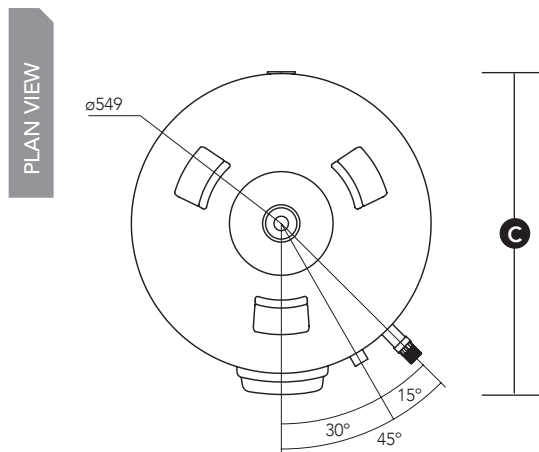
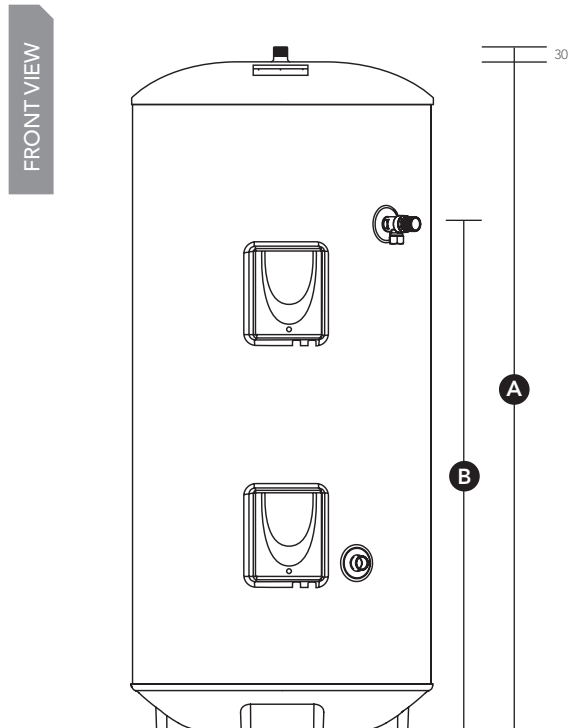
Model	100D	120DD	150DD	170DD	210DD
Product code	94:050:800	94:050:801	94:050:802	94:050:803	94:050:804
Nominal capacity (litres)	100	120	150	170	210
Insulation thickness (mm)	50	50	50	50	50
Expansion vessel (litres)	12	12	12	18	18
Immersion heater rating (kW)	1 x 3	2 x 3	2 x 3	2 x 3	2 x 3
Weight empty (kg)	23	25	28	29	36
Weight full (kg)	123	145	178	199	246
T&P tapping	½"	½"	½"	½"	½"
T&P pressure setting (bar)	1MPa (10)	1MPa (10)	1MPa (10)	1MPa (10)	1MPa (10)
T&P temperature sensor (°C)	90	90	90	90	90
Expansion relief setting (bar)	0.6MPa (6)	0.6MPa (6)	0.6MPa (6)	0.6MPa (6)	0.6MPa (6)
Direct heat time (based on max kW rating in mins)	99	121	152	173	215
Max supply pressure (bar)	1.6MPa (16)	1.6MPa (16)	1.6MPa (16)	1.6MPa (16)	1.6MPa (16)
Max design pressure (bar)	0.8MPa (8)	0.8MPa (8)	0.8MPa (8)	0.8MPa (8)	0.8MPa (8)
Max operating pressure (PRV) (bar)	0.35MPa (3.5)	0.35MPa (3.5)	0.35MPa (3.5)	0.35MPa (3.5)	0.35MPa (3.5)
Max expansion vessel charge pressure (bar)	0.35MPa (3.5)	0.35MPa (3.5)	0.35MPa (3.5)	0.35MPa (3.5)	0.35MPa (3.5)
Re-heat times 3kW (mins)	99	121	152	173	215
Heat loss (kWh/24h)	1.15	1.25	1.45	1.63	1.91

ERP TECHNICAL DATA

Mixed water at 40 °C V40 (litres)	143	180	234	265	332
The declared load profile	M	M	L	L	XL
The water heating energy efficiency class of the model	C	C	C	C	C
The water heating energy efficiency (%)	36.2	36	37.3	37.1	38.1
The annual electricity consumption (kWh)	1418	1424	2741	2759	4395
Daily fuel consumption Q _{fuel} (kWh)	6.640	6.680	12.730	12.840	20.300
The thermostat temperature settings of the water heater, as placed on the market by the supplier (°C)	60	60	60	60	60

250DD	250DDD	300DD	300DDD
94:050:805	94:050:806	94:050:807	94:050:808
250	250	300	300
50	50	50	50
24	24	24	24
2 x 3	3 x 3	2 x 3	3 x 3
45	46	55	56
295	296	355	356
½"	½"	½"	½"
1MPa (10)	1MPa (10)	1MPa (10)	1MPa (10)
90	90	90	90
0.6MPa (6)	0.6MPa (6)	0.6MPa (6)	0.6MPa (6)
257	88	310	105
1.6MPa (16)	1.6MPa (16)	1.6MPa (16)	1.6MPa (16)
0.8MPa (8)	0.8MPa (8)	0.8MPa (8)	0.8MPa (8)
0.35MPa (3.5)	0.35MPa (3.5)	0.35MPa (3.5)	0.35MPa (3.5)
0.35MPa (3.5)	0.35MPa (3.5)	0.35MPa (3.5)	0.35MPa (3.5)
257	257	310	310
2.03	2.03	2.36	2.36

390	390	453	453
XL	XL	XL	XL
C	C	C	C
37.7	37.7	37.6	37.6
4443	4443	4456	4456
20.580	20.580	20.660	20.660
60	60	60	60



DIMENSIONS

Model	100D	120D	150D	170D	210D	250D	250D 9kW	300	300D 9kW
A Height (mm)	784	906	1090	1216	1474	1726	1726	2040	2040
B T&P Valve (mm)	493	616	800	925	1184	1437	1437	1751	1751
C Depth (mm)	588	588	588	588	588	588	588	588	588

CODES OF PRACTICE/LEGISLATION

EU Directives:

- Pressure Equipment Directive 97/23/EC.
- Low Voltage Directive (LVD) 2014/30/EU.
- Electromagnetic Compatibility (EMC) Directive 2014/35/EU.
- RoHS (Restriction of use of certain Hazardous Substances) Directive 2011/65/EU.

Legislation:

- Building Regulations Part G and Part L (England and Wales).
- Scottish Building Standards Section 4 and Section 6.
- Building Regulations (Northern Ireland) Parts F1 and F2 and Part P.
- Water Supply (Water Fittings) Regulations (England and Wales).
- The Water Byelaws 2004 (Scotland).
- Water Supply (Water Fittings) Regulations (Northern Ireland).

Standards:

Relevant clauses of the following standards are complied with:

- EN 12897 – Specification for indirectly heated unvented cylinders.
- EN 60335-1 Safety-Particular requirements for storage water heaters.
- EN 60335-2 Safety-Particular requirements for storage water heaters.

The stainless steel materials used comply with the relevant clauses of:

- EN 10088 – Technical delivery conditions for sheet/plate and strip of corrosion resisting steels for general purposes.

Components supplied comply with the following standards:

- BS EN 1490 Building Valves – Combined Temperature and Pressure Relief Valves.
- BS EN 1491 Building Valves – Expansion Valves.
- BS 6144 Specification for Expansion Vessels Using An Internal Diaphragm

For Unvented Water Supply Systems:

- BS EN 1567 Building Valves – Water Pressure Reducing Valves and Combination

Reducing Valves:

- BS EN 60730-1 Automatic Electrical Controls – For households and similar use.

Part 1: General Requirements.

- BS EN 60730-2-8 Automatic Electrical Controls – Particular Requirements for Electrically Operated Water Valves.
- BS EN 13959 Anti-pollution Check Valves.

The use of these water heaters will aid in compliance with:

- Health and Safety Executive Approved Code of Practice L8: The control of legionella bacteria in water systems.
- BS EN 806 Parts 1 to 5: Specification for installations inside buildings conveying water for human consumption.
- BS 8558 Guide to the design, installation, testing and maintenance of services supplying water for domestic use within buildings.
- Chartered Institute of Building Services Engineers Guide B and Guide F.

Manufactured in a factory approved to:

- BS EN ISO 9001
- OHSAS 18001
- ISO 14001
- ISO 50001

PremierPlus Direct approvals:

- Kiwa Certification Number: 1207700.
- Nemko Certification Number: P12215506.



For more information
01603 420220 | enquiries@heatraesadia.com
www.heatraesadia.com



Please recycle this product once you have finished with it

Issue 3
© Heatrae Sadia 2018

Heatrae Sadia, Hurricane Way, Norfolk, NR6 6EA

HEATRAE SADIA may introduce modifications to their products from time to time. Consequentially the details given in this data sheet are subject to alteration without notice.