

DATA SHEET

Hotflo

ELECTRIC UNVENTED STORAGE

Available as both Horizontal and Vertical units.



The new range of fully ErP compliant Hotflo unvented storage units are the perfect solution for light commercial installations such as canteens, washrooms and commercial kitchens.

Manufactured from high grade duplex stainless steel the Hotflo range is available from 50 to 100 litres.

For peace of mind the Hotflo comes with a full 2 year warranty with on-site service support and a 5 year inner cylinder warranty.

3
kW

OUTPUT

50-100
litre

VARIANTS

Horizontal and Vertical

ORIENTATION

22
mm

CONNECTIONS

FEATURES

Manufactured from high grade duplex stainless steel

Factory fitted T&P

Universal bracket

Full 2 year warranty with on site service support

BENEFITS

For corrosion resistance, longevity and peace of mind

Added safety control upon installation

Easy to install, less remedial work required

Peace of mind after installation

Hotflo

ELECTRIC UNVENTED STORAGE

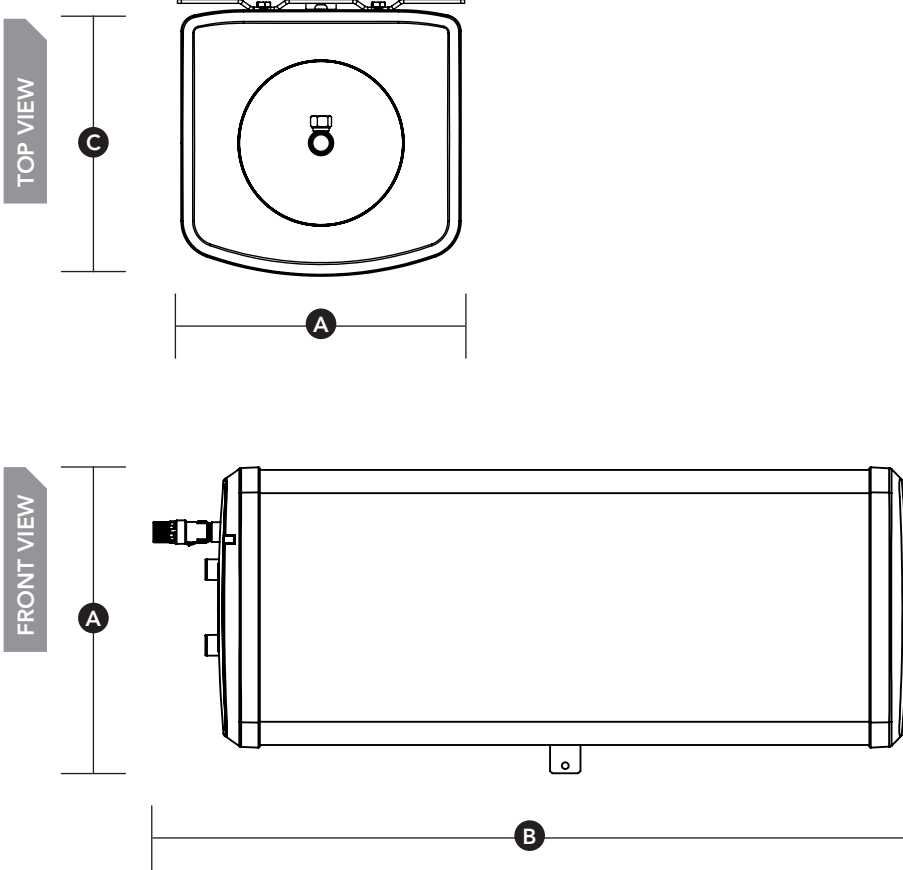
TECHNICAL SPECIFICATION

Product Code	HORIZONTAL			VERTICAL		
	7037030	7037032	7037034	7700739	7700780	7700781
Model	50 H 3kW	80 H 3kW	100 H 3kW	50 V 3kW	80 V 3 kW	100 V 3kW
Weight (kg)	21.2	26.2	30.2	21.2	26.2	30.2
Capacity (litres)	50	80	100	50	80	100
Rating (kW)	3	3	3	3	3	3
Rating (V)	230	230	230	230	230	230
Heat Up Time (mins)	65	115	125	65	115	125
Recovery Time (mins)	36	52	69	46	81	88
Continuous Performance (50°C ΔT) (litres)	51	51	51	51	51	51
First Hour (50°C ΔT) (litres)	101	131	151	101	131	151
Max Inlet Pressure to PRV (bar)	16	16	16	16	16	16
Max Operating Pressure (bar)	10	10	10	10	10	10
Tested Pressure (bar)	12	16	16	12	16	16
Connection Type	Compression	Compression	Compression	Compression	Compression	Compression
Connection Size (mm)	22	22	22	22	22	22
Connection Location	Left Hand Side	Left Hand Side	Left Hand Side	Bottom	Bottom	Bottom
ErP Rating	C	C	C	C	C	C
Heat Loss (kWh/24h)	0.90	1.13	1.17	0.69	0.82	0.93
Insulation Thickness (mm)	25	35	35	25	35	35
Insulation Material (Envirofoam)	565RF	565RF	565RF	565RF	565RF	565RF
IPX Rating	IPX4	IPX4	IPX4	IPX4	IPX4	IPX4
Immersion Heater Material (Incoloy)	800	800	800	800	800	800

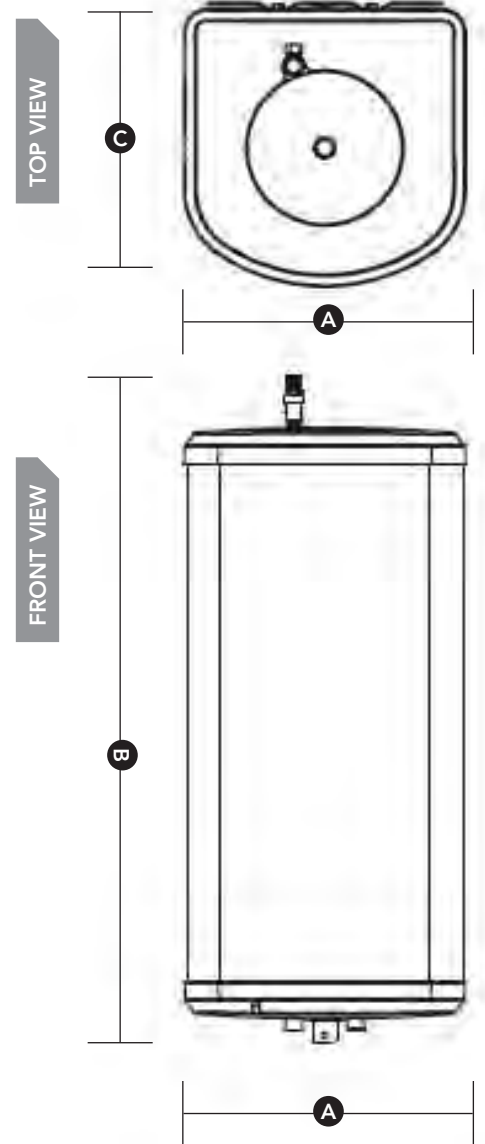
DIMENSIONS

Model	50 H 3kW	80 H 3kW	100 H 3kW	50 V 3kW	80 V 3 kW	100 V 3kW
A Height (mm)	371	454	454	1007	1066	1234
B Width (mm)	997	1038	1207	371	454	454
C Depth (mm)	350	454	454	350	454	454

HORIZONTAL



VERTICAL



DATA SHEET

Hotflo

ELECTRIC UNVENTED STORAGE

CODES OF PRACTICE/LEGISLATION

EU Directives:

- Energy Labelling of Water Heaters Directive 2010/30/EU
- Eco Design for Water Heaters Directive 2009/125/EU
- Low Voltage Directive (LVD) 2014/30/EU
- Electromagnetic Compatibility (EMC) Directive 2014/35/EU

Legislation:

- Building Regulations Part G and Part L (England and Wales)
- Scottish Building Standards Section 4 and Section 6
- Building Regulations (Northern Ireland) Parts F1 and F2 and Part P
- Water Supply (Water Fittings) Regulations (England and Wales)
- The Water Byelaws 2004 (Scotland)
- Water Supply (Water Fittings) Regulations (Northern Ireland)

Standards:

- Relevant clauses of the following standards are complied with:
- EN 60379 Specification for measuring the performance of electric storage water heater
 - EN 60335-2-21 Safety Particular requirements for storage water heaters

The copper materials used comply with the relevant clauses of:

- EN 1653 Technical delivery conditions for sheet/plate copper and copper alloys.
Plate, sheet and circles for boilers, pressure vessels and hot water storage units
- EN 50440:2016 Efficiency of Domestic Electric Storage Water Heaters and Training Methods

Components supplied comply with the following standards:

- BS EN 60730-1 Automatic Electrical Controls –
For households and similar use part 1: General Requirements
- BS EN 60730-8 Automatic Electrical Controls –
Particular requirements for Electrically Operated Water Valves

The use of these water heaters will aid in compliance with:

- Health and safety Executive Approved Code of Practice L8:
The control of legionella bacteria in water systems
- BS EN 806 Parts 1 to 5: Specification for installations inside buildings conveying water for human consumption
- BS 8558 Guide to the design, installation, testing and maintenance of services supplying water for domestic use within buildings
- Chartered Institute of Building Services Engineers Guide B and Guide F

Manufactured in a factory approved to:

- BS EN ISO 9001
- OHSAS 18001
- ISO 14001



For more information
01603 420220 | enquiries@heatraesadia.com
www.heatraesadia.com



Please recycle this document once you have finished with it

Issue 3
© Heatrae Sadia 2018

Heatrae Sadia, Hurricane Way, Norfolk, NR6 6EA

Heatrae Sadia may introduce modifications to their products from time to time. Consequentially the details given in this data sheet are subject to alteration without notice.