

DATA SHEET

PremierPlus Solar Indirect

UNVENTED HOT WATER CYLINDER

The Heatrae Sadia PremierPlus Solar Indirect is an environmentally friendly and efficient way of providing domestic hot water. Unlike some other 'twin coil' cylinders which simply use heating coils designed for traditional boiler heated cylinders, PremierPlus Solar Indirect cylinders have a purpose designed solar heating coil at the base of the cylinder, which ensures maximum heat input and efficiency from the solar energy.

PremierPlus Solar Indirect is available in a choice of capacities from 190 to 300 litres.



50 mm	190-300 Litres	3kW	24 Litre
INSULATION	NOMINAL CAPACITIES	IMMERSION HEATER BACK-UP	EXPANSION TANK

FEATURES

High performance solar coil

50mm insulation

High performance auxiliary coil

High grade duplex stainless steel

BENEFITS

Maximises solar thermal energy capture

Low heat loss from the cylinder

Allows the cylinder to provide hot water on non-solar gain days

High corrosion resistance for long life

PremierPlus Solar Indirect

UNVENTED HOT WATER CYLINDER

TECHNICAL SPECIFICATION

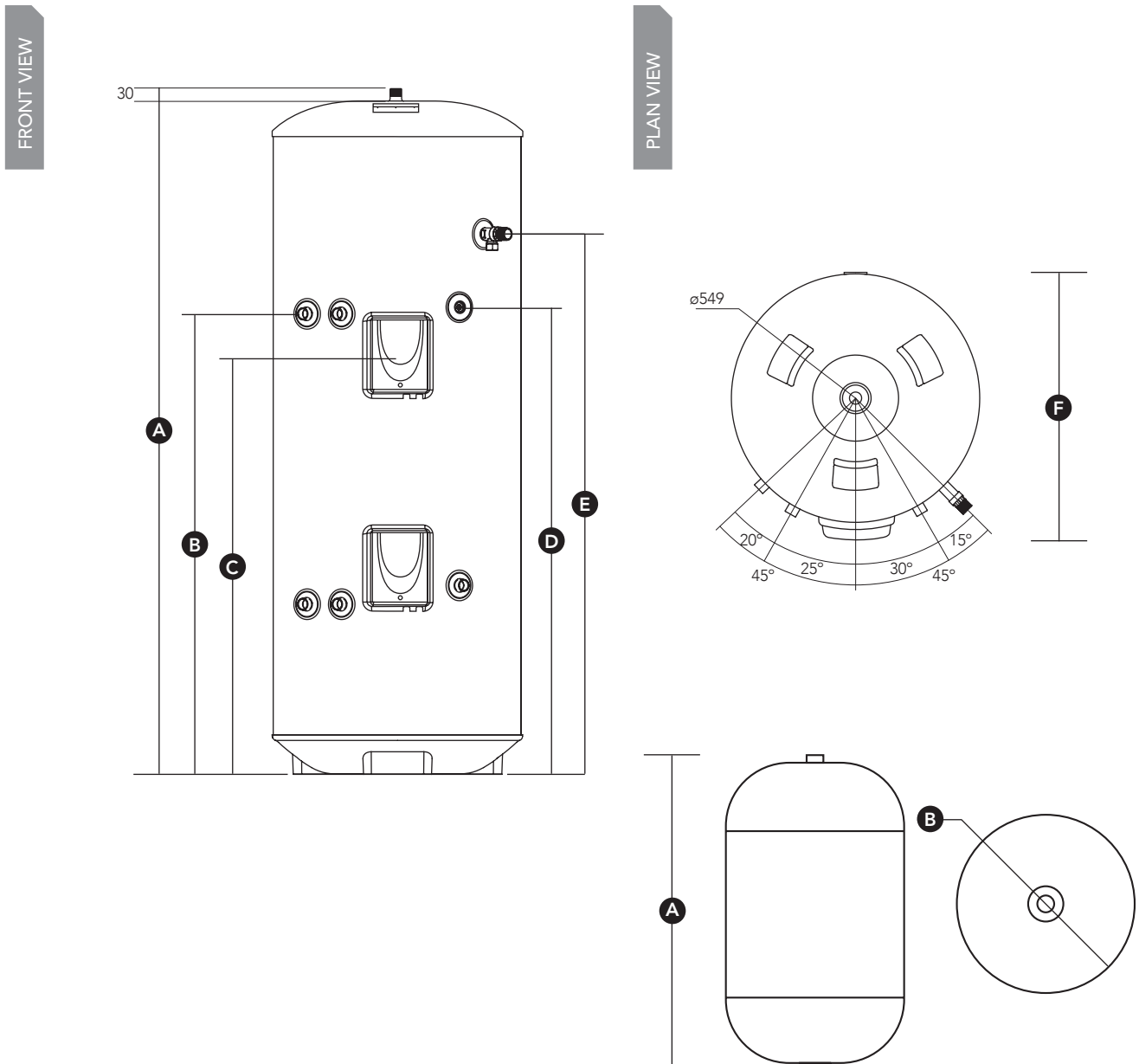
Model	190Si	210Si	250Si	300Si
Product code	94:050:822	94:050:823	94:050:824	94:050:825
Nominal Capacity (litres)	190	210	250	300
Auxiliary volume	120	120	145	174
Expansion vessel (litres)	24	24	24	24
Insulation thickness (mm)	50	50	50	50
Immersion heater rating (kW)	1 x 3	1 x 3	1 x 3	1 x 3
Weight empty (kg)	45.5	47.5	56.5	66.5
Weight full (kg)	240	264	308	367
Solar coil surface area (m ²)	1.1	1.1	1.1	1.1
Recovery times (auxiliary heating input only) (mins)	16	17	19	22
T&P tapping	½"	½"	½"	½"
T&P pressure setting (bar)	10	10	10	10
T&P temperature sensor (°C)	90	90	90	90
Expansion relief setting (bar)	6	6	6	6
Max. Primary Pressure (coil) (bar)	10	10	10	10
Solar coil resistance at 1lpm (bar)	0.02MPs (0.2)	0.02MPs (0.2)	0.02MPs (0.2)	0.02MPs (0.2)
Auxiliary coil rating (kW)	14.7	15	16.2	18.8
Heat loss (kWh/24h)	1.92	1.96	2.25	2.52
Potable Water Expansion Vessel				
Nominal Capacity (litres)	24	24	24	24
Pre-set pressure (bar)	3.5	3.5	3.5	3.5
Connection (mbsp)	¾"	¾"	¾"	¾"

ERP TECHNICAL DATA

ErP rating	C	C	D	D
------------	---	---	---	---

DIMENSIONS

Model	190Si	210Si	250Si	300Si
A Height (mm)	1372	1473	1731	2038
B Auxiliary coil (mm)	784	1012	1143	1440
C Backup immersion heater (mm)	865	922	1066	1256
D Secondary return (mm)	925	1095	1279	1592
E T&P relief valve (mm)	1085	1186	1438	1752
F Depth (mm)	588	588	588	588
Potable Water Expansion Vessel				
A Height (mm)	492	492	492	492
B Diameter (mm)	280	280	280	280



CODES OF PRACTICE/LEGISLATION

EU Directives:

- Pressure Equipment Directive 97/23/EC.
- Low Voltage Directive (LVD) 2014/30/EU.
- Electromagnetic Compatibility (EMC) Directive 2014/35/EU.
- RoHS (Restriction of use of certain Hazardous Substances) Directive 2011/65/EU.

Legislation:

- Building Regulations Part G and Part L (England and Wales).
- Scottish Building Standards Section 4 and Section 6.
- Building Regulations (Northern Ireland) Parts F1 and F2 and Part P.
- Water Supply (Water Fittings) Regulations (England and Wales).
- The Water Byelaws 2004 (Scotland).
- Water Supply (Water Fittings) Regulations (Northern Ireland).

Standards:

- Relevant clauses of the following standards are complied with:
- EN 12897 – Specification for indirectly heated unvented cylinders.
- EN 60335 -1 Safety-Particular requirements for storage water heaters.
- EN 60335 -2 Safety-Particular requirements for storage water heaters.

The stainless steel materials used comply with the relevant clauses of:

- EN 10088 – Technical delivery conditions for sheet/plate and strip of corrosion resisting steels for general purposes.

Components supplied comply with the following standards:

- BS EN 1490 Building Valves – Combined Temperature and Pressure Relief Valves.
- BS EN 1491 Building Valves – Expansion Valves.
- BS 6144 Specification for Expansion Vessels Using An Internal Diaphragm

For Unvented Water Supply Systems:

- BS EN 1567 Building Valves – Water Pressure Reducing Valves and Combination

Reducing Valves.

- BS EN 60730-1 Automatic Electrical Controls – For households and similar use.

Part 1: General Requirements.

- BS EN 60730-2-8 Automatic Electrical Controls – Particular Requirements for Electrically Operated Water Valves.
- BS EN 13959 Anti-pollution Check Valves.

The use of these water heaters will aid in compliance with:

- Health and Safety Executive Approved Code of Practice L8: The control of legionella bacteria in water systems.
- BS EN 806 Parts 1 to 5: Specification for installations inside buildings conveying water for human consumption.
- BS 8558 Guide to the design, installation, testing and maintenance of services supplying water for domestic use within buildings.
- Chartered Institute of Building Services Engineers Guide B and Guide F.

Manufactured in a factory approved to:

- BS EN ISO 9001
- OHSAS 18001
- ISO 14001
- ISO 50001

PremierPlus Solar Indirect approvals:

- Kiwa Certification Number: 1207700.
- Nemko Certification Number: P12215506.



For more information
01603 420220 | enquiries@heatraesadia.com
www.heatraesadia.com



Please recycle this product once you have finished with it

Issue 1
© Heatrae Sadia 2017

Heatrae Sadia, Hurricane Way, Norfolk, NR6 6EA

HEATRAE SADIA may introduce modifications to their products from time to time. Consequentially the details given in this data sheet are subject to alteration without notice.