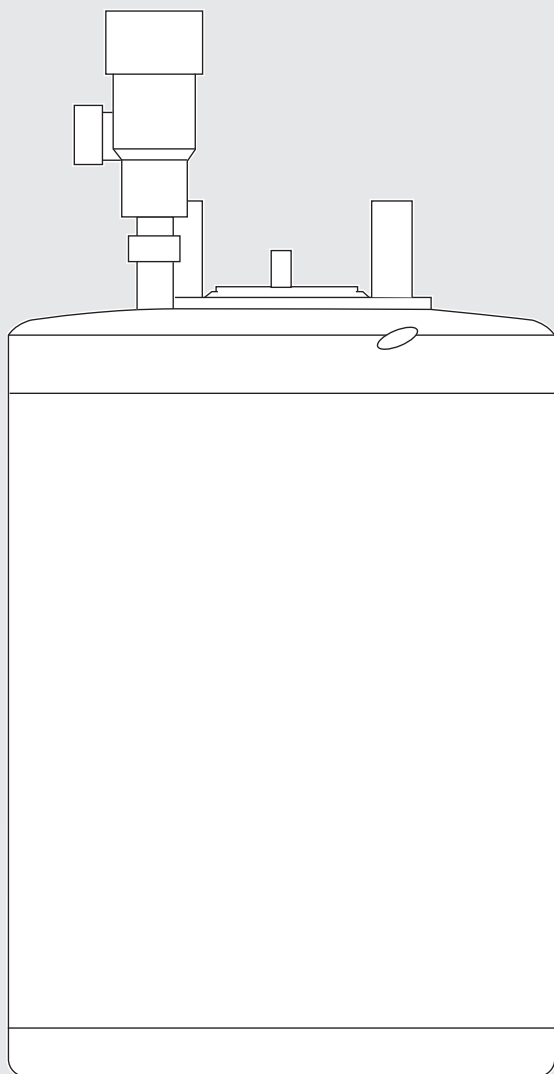


HEATRAE SADIA

SMARTER | CLEANER | WARMER

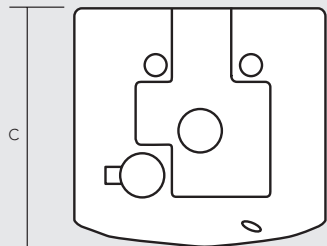
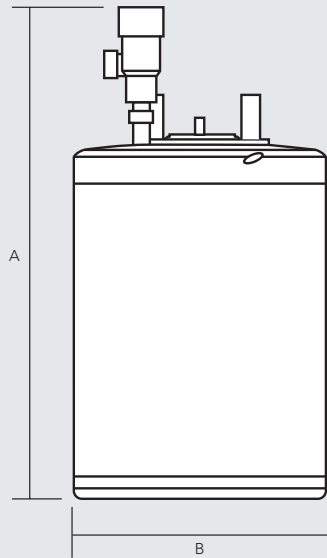
Multipoint Technical Data



Multipoint 10 / 15

Specification

DIMENSIONS AND PERFORMANCE



Measurements in mm

Model	Multipoint 10 3kW vertical	Multipoint 15 3kW vertical	Multipoint 10 4.5kW vertical	Multipoint 15 4.5kW vertical
A - Height (mm)	572	728	572	728
B - Width (mm)	267	267	267	267
C - Depth (mm)	252	252	252	252
Product Code	95:050:143	95:050:144	95:050:145	95:050:146
Element Rating	3kW @ 240V / 2.75kW @ 230V	3kW @ 240V / 2.75kW @ 230V	4.5kW @ 240V / 4.1kW @ 230V	4.5kW @ 240V / 4.1kW @ 230V
Weight (kg empty)	6.9	8.8	6.9	8.8
Weight (kg full)	16.9	23.8	16.9	23.8
Minimum Operating Pressure (bar)	0.8	0.8	0.8	0.8
Rated Pressure (bar)	6	6	6	6
Connection Size (mm)	15	15	15	15
Pressure Tested (bar)	12	12	12	12
Maximum Supply to PRV (bar)	16	16	16	16
Capacity (litres)	10	15	10	15
Factory fitted Temperature/Pressure relief valve	Yes	Yes	Yes	Yes
Temperature/Pressure relief valve setting	90°C / 7 bar	90°C / 7 bar	90°C / 7 bar	90°C / 7 bar
ErP rating	C	C	C	C

Multipoint 10 / 15

Installation

Installation Requirements/

Limitations:

National Wiring rules may contain restrictions concerning the installation of these units in bathrooms.

The unit should be vertically wall mounted using the wall bracket supplied.

NOTE: Ensure that the wall can support the full weight of the unit (see technical specification).

DO NOT install where the unit may freeze.

The Multipoint unvented water heater must be fitted with a Pressure Relief Valve.

If the static supply pressure exceeds 0.41MPa (4.1 bar) a pressure reducing valve must be fitted to the cold main supply. If a pressure reducing valve is used, an expansion vessel must also be used.

WARNING: This appliance must be earthed. It is suitable for a.c. supply only.

The unit is supplied fitted with a 0.75m 3 core 1.5mm² flexible cable on the 3kW models or a 0.75m 3 core 2.5mm² cable on the 4.5kW model.

The unit can be used to supply several hot water outlets via conventional taps. It is not recommended for supplying a shower.

Warranty:

The water heater is under warranty for a period of five years from the date of purchase, with the exception of the immersion heater and thermal controls which are covered for a period of two years.

The unit is not covered against damage by frost and the immersion heater is not covered against excessive scale build up.

Approvals:

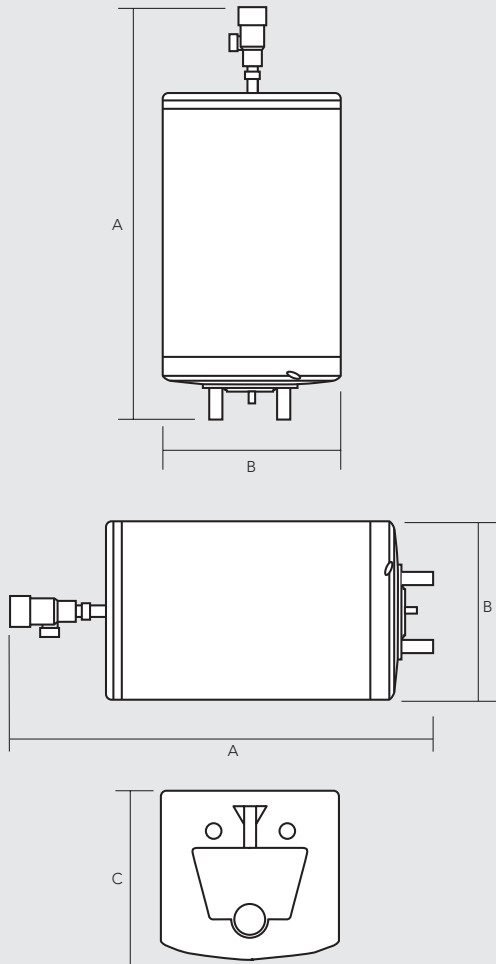
Nemko and Kiwa approved.

Multipoint 30 / 50

Specification

DIMENSIONS AND PERFORMANCE

Model	Multipoint 30 3kW vertical	Multipoint 50 3kW vertical	Multipoint 30 1kW vertical	Multipoint 50 1kW vertical	Multipoint 30 3kW horiz / wall	Multipoint 50 3kW horiz / wall
A - Height (mm)	788	1060	788	1060	788	1060
B - Width (mm)	370	370	370	370	370	370
C - Depth (mm)	352	352	352	352	352	352
Product Code	95:050:150	95:050:151	95:050:152	95:050:153	95:050:154	95:050:157
Element Rating	3kW @ 240V / 2.75kW @ 230V	3kW @ 240V / 2.75kW @ 230V	1kW @ 240V / 0.9kW @ 230V	1kW @ 240V / 0.9kW @ 230V	3kW @ 240V / 2.75kW @ 230V	3kW @ 240V / 2.75kW @ 230V
Weight (kg empty)	12.5	19.3	12.5	19.3	12.5	19.3
Weight (kg full)	42.5	69.3	42.5	69.3	42.5	69.3
Minimum Operating Pressure (bar)	0.8	0.8	0.8	0.8	0.8	0.8
Rated Pressure (bar)	6	6	6	6	6	6
Connection Size (mm)	15	15	15	15	15	15
Pressure Tested (bar)	12	12	12	12	12	12
Maximum Supply to PRV (bar)	16	16	16	16	16	16
Capacity (litres)	30	50	30	50	30	50
Factory fitted Temperature/Pressure relief valve	Yes	Yes	Yes	Yes	Yes	Yes
Temperature/Pressure relief valve setting	90°C / 7 bar	90°C / 7 bar	90°C / 7 bar	90°C / 7 bar	90°C / 7 bar	90°C / 7 bar
ErP rating	D	D	D	E	D	D



Measurements in mm

Multipoint 30 / 50

Installation

Components:

- Expansion vessel ¾" BSP male, pre-charged pressure 0.35 MPa (3.5 bar) c/w wall mounting bracket.
- Combined Pressure Reducing Valve/ Strainer ½" BSP female, factory set at 0.35MPa (3.5bar).
- Single Check Valve 15mm x 15mm compression.
- Pressure (expansion) Relief Valve ½" BSP male inlet, ½" BSP female discharge factory set at 0.6MPa (6 bar).
- Tundish ½" BSP male inlet, ¾" BSP female outlet.
- Wall mounting bracket set.
- Self-adhesive Levelling Feet (2 off) (Vertical models only).
- Moulded plastic spacer (Vertical models only).

Installation Requirements:

The Multipoint is factory fitted with a temperature/pressure relief valve. The factory fitted temperature/pressure relief valve must not be removed, blocked or restricted in any way.

Expansion must be accommodated within the system.

NOTE: Ensure that the wall can support the full weight of the unit (see Technical Specifications) and that there are no hidden services below the surface of the wall.

DO NOT install where the unit may freeze.

The expansion vessel should be supported on its own wall bracket, do not rely on the pipework alone to support it.

The water connections to the unit are 15mm diameter copper tubes suitable for compression fittings.

A drain cock must be fitted below the heater in the inlet pipework. It must be sited between the heater and the Check Valve.

The unit is supplied fitted with a 1.0m 3 core 1.5mm² flexible cable. The electricity supply should be fused 13 Amp for a 3kW model and 5 Amp for a 1kW model and be via a double pole isolating switch with a contact separation of at least 3mm in both poles.

Warranty:

This water heater is under warranty for a period of five years from the date of purchase with the exception of the element and thermal controls which are covered for a period of two years.

The unit is not covered against damage by frost and the immersion heater is not covered against excessive scale build up.

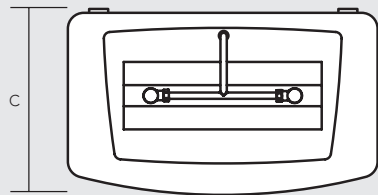
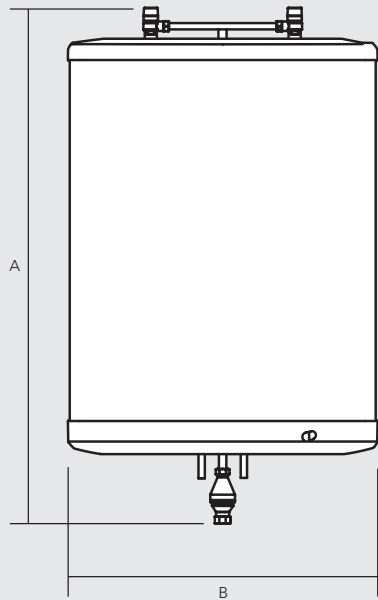
Approvals:

Multipoint 30 / 50 Vertical
– BEAB and Kiwa approved.

Multipoint 30 / 50 Horizontal
– BEAB approved.

Multipoint 75 / 100

Specification



Measurements in mm

DIMENSIONS AND PERFORMANCE

Model	Multipoint 75 3kW vertical	Multipoint 75 6kW vertical	Multipoint 100 3kW vertical	Multipoint 100 6kW vertical
A - Height (mm)	1055	1055	1213	1213
B - Width (mm)	729	729	729	729
C - Depth (mm)	430	430	430	430
Product Code	95:050:170	95:050:171	95:050:172	95:050:173
Element Rating	3	6	3	6
Weight (kg empty)	38	38	50	50
Weight (kg full)	113	113	150	150
Minimum Operating Pressure (bar)	0.8	0.8	0.8	0.8
Rated Pressure (bar)	6	6	6	6
Connection Size (mm)	15	15	15	15
Pressure Tested (bar)	12	12	12	12
Maximum Supply to PRV (bar)	16	16	16	16
Capacity (litres)	75	75	100	100
Factory fitted Temperature/Pressure relief valve	Yes	Yes	Yes	Yes
Temperature/Pressure relief valve setting	90°C / 7 bar	90°C / 7 bar	90°C / 7 bar	90°C / 7 bar
ErP rating	D	D	D	D

Multipoint 75 / 100

Installation

Components:

- Combined pressure reducing valve and strainer.
- Tundish.
- Mounting brackets.
- Mounting bracket fixing bolts (x6).

Installation Requirements:

The Multipoint is factory fitted with two Temperature/Pressure Relief Valves which must not be removed, blocked or restricted in any way.

Expansion must be accommodated within the system. The 75/100 incorporates an expansion vessel and check valve for this purpose.

The Multipoint must be vertically wall mounted using the bracket provided. The water connections must always be at the bottom of the unit.

Ensure that the wall can support the full weight of the unit and that there are no hidden services below the wall.

To make the installation easier, the Multipoint 75/100 is supplied with an integral non-return valve, expansion vessel and pressure relief valve.

The water connections to the unit are 15mm diameter copper tubes suitable for compression fittings.

The unit is supplied fitted with a 2.0m 3 core 1.5mm² flexible cable (3kW models) or 2.0m 3 core 4.0mm² flexible cable (6kW models). The electricity supply should be fused at 13 Amp for a 3kW model and 32 Amp for a 6kW model and be via a double pole isolating switch with a contact separation of at least 3mm in both poles.

Warranty:

This water heater is under warranty for a period of five years from the date of purchase with the exception of the element and thermal controls which are covered for a period of two years.

Approvals:

Kiwa approved.

Multipoint SS

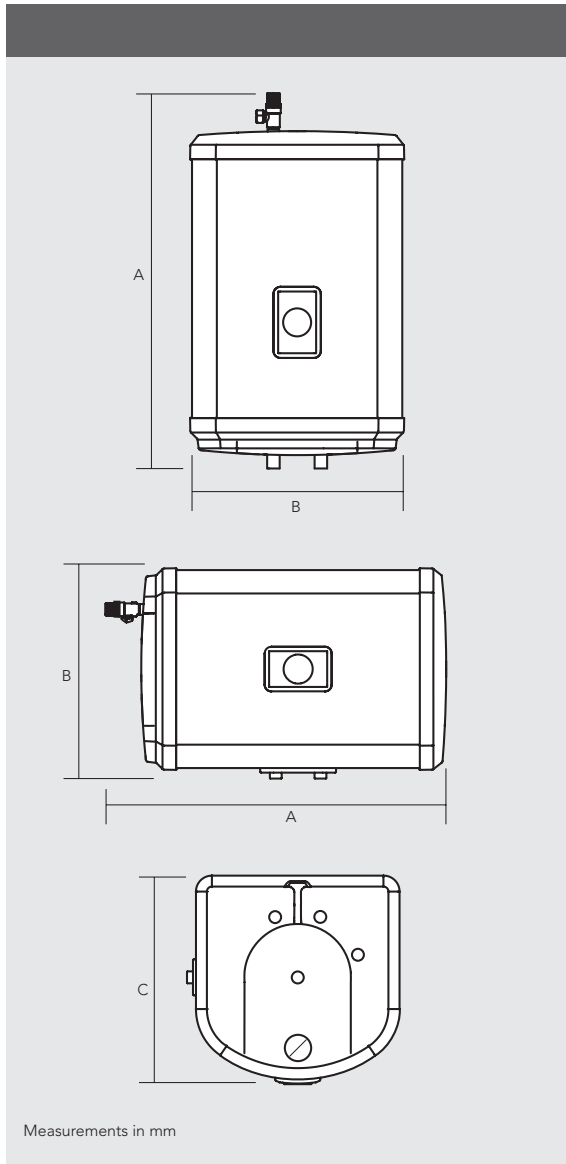
Specification

DIMENSIONS AND PERFORMANCE

Model	Multipoint SS 50 Horizontal 3kW	Multipoint SS 80 Horizontal 3kW	Multipoint SS 100 Horizontal 3kW	Multipoint SS 50 Vertical 3kW	Multipoint SS 80 Vertical 3kW	Multipoint SS 100 Vertical 3kW
A - Height (mm)	700	958	1146	705	963	1151
B - Width (mm)	451	451	451	451	451	451
C - Depth (mm)	472	472	472	472	472	472
Product Code	95:050:175	95:050:177	95:050:179	95:050:181	95:050:183	95:050:185
Element Rating	3kW @ 240V / 2.75kW @ 230V	3kW @ 240V / 2.75kW @ 230V	3kW @ 240V / 2.75kW @ 230V	3kW @ 240V / 2.75kW @ 230V	3kW @ 240V / 2.75kW @ 230V	3kW @ 240V / 2.75kW @ 230V
Weight (kg empty)	18	24	30	18	24	30
Weight (kg full)	68	104	130	68	104	130
Minimum Operating Pressure (bar)	1	1	1	1	1	1
Rated Pressure (bar)	6	6	6	6	6	6
Connection Size (mm)	22	22	22	22	22	22
Pressure Tested (bar)	16	16	16	16	16	16
Maximum Supply to PRV (bar)	16	16	16	16	16	16
Capacity (litres)	50	80	100	50	80	100
Heat up times (mins)*	49	76	93	49	81	104
Recovery times (mins)**	36	51	58	32	56	73
Factory fitted Temperature/Pressure relief valve	Yes	Yes	Yes	Yes	Yes	Yes
Temperature/Pressure relief valve setting	90°C / 7 bar	90°C / 7 bar	90°C / 7 bar	90°C / 7 bar	90°C / 7 bar	90°C / 7 bar
ErP rating	D	D	D	D	D	D

*Heat up times are based on heating from 20°C through 45°C temperature rise.

**Recovery times are based on heating 70% of capacity through 45°C.



Measurements in mm

Multipoint SS

Installation

Components:

- Expansion vessel ¾" BSP male, precharge pressure 3.5bar.
- Expansion vessel wall mounting bracket.
- Pressure reducing valve 3.5bar, 22mm x 22mm compression.
- Single check valve 22mm x 22mm compression.
- Pressure Relief Valve ½" BSP x ½" BSP female, factory set at 6 bar.
- Tundish, 22mm x 15mm compression.
- ¾" compression nuts (x2).
- Copper olive, 22mm (x2).
- Mounting brackets (x4).

Installation Requirements:

The Multipoint SS unvented water heater is factory fitted with a Temperature/Pressure Relief Valve which must not be removed, blocked or restricted in any way.

Expansion **MUST** be accommodated within the system. The expansion vessel & check valve provided in the installation kit must be installed and will fulfil this function.

Ensure that the wall can support the full weight of the unit and that there are no hidden services below the surface of the wall.

DO NOT install where the unit may freeze.

DO NOT install in direct sunlight or where the unit is open to the elements.

For ease of installation Multipoint SS is supplied with a non-return valve, expansion vessel and pressure relief valve.

Warranty:

The Multipoint SS is under warranty against faulty materials and manufacture for a period of 15 years for the inner stainless steel hot water cylinder, with all other components covered for 2 years.

The unit is not covered against damage by frost and the immersion heater is not covered against excessive scale build-up.

Approvals:

Nemko, BEAB and Kiwa approved.

ErP

Technical data

Multipoint 10 / 15

Supplier's name or trade mark	Multipoint			
Supplier's model identifier	10L (3kW)	10L (4.5kW)	15L (3kW)	15L (4.5kW)
Storage volume V in litres	10	10	15	15
Mixed water at 40°C V40 in litres	19	19	27	27
The declared load profile	XXS	XXS	XXS	XXS
The water heating energy efficiency class of the model	C	C	C	C
The water heating energy efficiency in %	30.9	30.9	29.6	29.6
The annual electricity consumption in kWh	596	596	622	622
Daily fuel consumption Q _{fuel} in kWh	2.900	2.900	3.050	3.050
The thermostat temperature settings of the water heater, as placed on the market by the supplier	60°C	60°C	60°C	60°C

Multipoint 30 / 50

Supplier's name or trade mark	Multipoint					
Supplier's model identifier	30V 3kW	50V 3kW	30V 1kW	50V 1kW	30H	50H
Storage volume V in litres	30.0	50.0	30.0	50.0	30	50
Mixed water at 40°C V40 in litres	46	86	46	79	39	61
The declared load profile	S	S	M	M	S	M
The water heating energy efficiency class of the model	D	D	D	E	D	D
The water heating energy efficiency in %	30.4	33.9	34.7	30.4	29.3	34.7
The annual electricity consumption in kWh	606	1516	608	1481	629	1482
Daily fuel consumption Q _{fuel} in kWh	2.960	7.220	2.970	7.020	3.090	7.020
The thermostat temperature settings of the water heater, as placed on the market by the supplier	60°C	60°C	60°C	60°C	60°C	60°C

ErP

Technical data

Multipoint 75 / 100

Supplier's name or trade mark	Multipoint 75/100			
Supplier's model identifier	75/3	75/6	100/3	100/6
Storage volume V in litres	75	75	100	100
Mixed water at 40°C V40 in litres	129	125	162	162
The declared load profile	M	M	L	L
The water heating energy efficiency class of the model	D	D	D	D
The water heating energy efficiency in %	33.0	33.2	35.6	35.6
The annual electricity consumption in kWh	1555	1543	2878	2878
Daily fuel consumption Q fuel in kWh	7.450	7.380	13.540	13.540
The thermostat temperature settings of the water heater, as placed on the market by the supplier	60°C	60°C	60°C	60°C

Multipoint SS

Supplier's name or trade mark	Multipoint					
Supplier's model identifier	50L V	50L H	80L V	80L H	100L V	100L H
Storage volume V in litres	50	50	80	80	100	100
Mixed water at 40°C V40 in litres	77	82	126	12	157	159
The declared load profile	M	M	M	M	L	L
The water heating energy efficiency class of the model	D	D	D	D	D	D
The water heating energy efficiency in %	34.6	34.3	34.1	34.5	35.7	34.5
The annual electricity consumption in kWh	1484	1497	1505	1486	2866	2968
Daily fuel consumption Q fuel in kWh	7.030	7.110	7.15	7.04	13.470	14.070
The thermostat temperature settings of the water heater, as placed on the market by the supplier	60°C	60°C	60°C	60°C	60°C	60°C

UNVENTED POINT-OF-USE HOT WATER

SPECIFICATION ADVICE HOTLINE

t | 01603 420220 e | specifier@heatraesadia.com

AFTER SALES SERVICE

t | 0344 871 1535 e | heatraesadiaservice@heateam.co.uk

w | heatraesadia.com



Our nationwide network of Customer Support engineers

Heatrae Sadia has its very own dedicated nationwide network of highly trained customer support engineers so you can have peace of mind that we're always here to help.

PRODUCT RANGE

Full specification details on all our products are available to download from our website.

To support our corporate responsibility and sustainability charters and reduce our printed material, we encourage you to download product brochures from our website.

In designing these files we have taken into account the need to access data on screen.

If you would like to receive a printed copy of our full product catalogue please call our literature hotline on 01603 420127.

Heatrae Sadia may introduce modifications to their products from time to time. Consequently, the details given in this brochure are subject to alteration without notice.

Please follow us online:



Please recycle this product once you have finished with it.