

# Handy Dri 24

## Fitting Instructions and User Guide

**Please read and understand these instructions prior to installing your Handy Dri hand drier. They are for use by competent personnel i.e. trained, experienced and qualified. Instructions only detail key operations. They do not supersede national, mandatory or legal requirements which may apply to the product, installation, environment or personnel associated with servicing the Handy Dri. Particular attention should be paid to the section headed IMPORTANT INSTALLATION POINTS. Following installation and commissioning, the operation of the hand drier should be explained to the customer and these instructions left with them for future reference.**

## **TECHNICAL SPECIFICATIONS**

Voltage	230V - 240V
Frequency	50Hz - 60Hz
Rated power	2400W
Heating element power	2200W
Motor input power	200W
Noise level	80± 3dB(A)
Air volume	51 l/s
Air temperature rise	35 K measured 50mm from the outlet
Electrical class	1
Ingress protection	IPX1
Dimensions	284 W x 248 H x 202 D
Weight (Net)	6.6kg

# 1.0 SAFETY INSTRUCTIONS

- 1.1 Always disconnect from the mains before removing the cover.
- 1.2 Do not run the Handy Dri with the cover removed or the motor will not be effectively cooled.

Please note that improper use of electrical appliances can give rise to hazards that children can not recognise.

# 2.0 IMPORTANT INSTALLATION POINTS


- 2.1 Check the mains electrical supply is within the range 230V to 240V 50/60Hz before connecting the Handy Dri.
- 2.2 The Handy Dri must be installed by a qualified electrician.
- 2.3 The Handy Dri is intended for wall mounting only.
- 2.4 The Handy Dri should be mounted at least 600mm away from any sink or wash basin.
- 2.5 All electrical work must comply with the relevant parts of both the latest BS7671(IEE Wiring Regulations) and part P Building Regulations. Special requirements must be observed when installed in bathrooms etc.

## 3.0 INSTALLATION - WALL MOUNTING

- 3.1 To remove the cover:  
Completely unscrew the two screws located on the underside of the unit, using the special hexagon wrench supplied.
- 3.2 Lift the cover away from the backplate, and over the sensor housing, before removing the cover completely.
- 3.3 Choose the mounting position for the Handy Dri taking into account :
  - The position of the electrical connection.
  - The recommended height, (see the mounting template).
  - A distance of 150mm must be left between each unit to allow access for servicing.
  - The Handy Dri must not be installed in zone 2 situations (Part P) eg. within 600mm of a bath, sink, basin etc.
  - The Handy Dri must be mounted at least 250 mm above any surface.
- 3.4 Ensure that the wall can support the weight of the unit (see TECHNICAL SPECIFICATIONS) and that there are no hidden services (electricity, gas or water) below surface of the wall.
- 3.5 Using the template, mark the fixing positions, drill positions with an 8mm drill, plug and screw into position (**confirm suitability of all screws and plugs for use with the wall, if unsuitable due to wall type provide alternative fixings**).

## 4.0 INSTALLATION - ELECTRICAL REQUIREMENTS

**WARNING: This appliance must be earthed. It is suitable for a.c. supply only. Disconnect the electrical supply before removing the cover. Installation must be in accordance with the current local Wiring Regulations.**

- 4.1 A double pole isolating switch, with a contact separation of at least 3mm in both poles, should be incorporated in the electrical supply. The supply should be fused 13 Amp.
- 4.2 The nominal cross sectional area of the supply cable should be 1.5mm<sup>2</sup> minimum.
- 4.3 The unit can be connected using fixed wiring brought in through the rear of the unit, or using a flexible cord through the bottom of the unit.
- 4.4 Where the cable enters from the bottom it must pass through the cable bushing. If wired from the rear, the cable bushing must be exchanged with the blank bushing in the backplate. Bushings are removed by depressing the securing tabs built into them.
- 4.5 Strip the sheath of the flexible cord so that when the conductors are connected to the terminals the sheath is still gripped in the cable bushing.
- 4.6 Where fixed wiring is used, sleeve the bare circuit protective conductor with green/yellow sleeving. Make the electrical connections.  
BROWN or RED to the terminal block marked "L"  
BLUE or BLACK to the terminal block marked "N"  
GREEN/YELLOW or bare to terminal on the base plate marked .

# Schematic Circuit Diagram

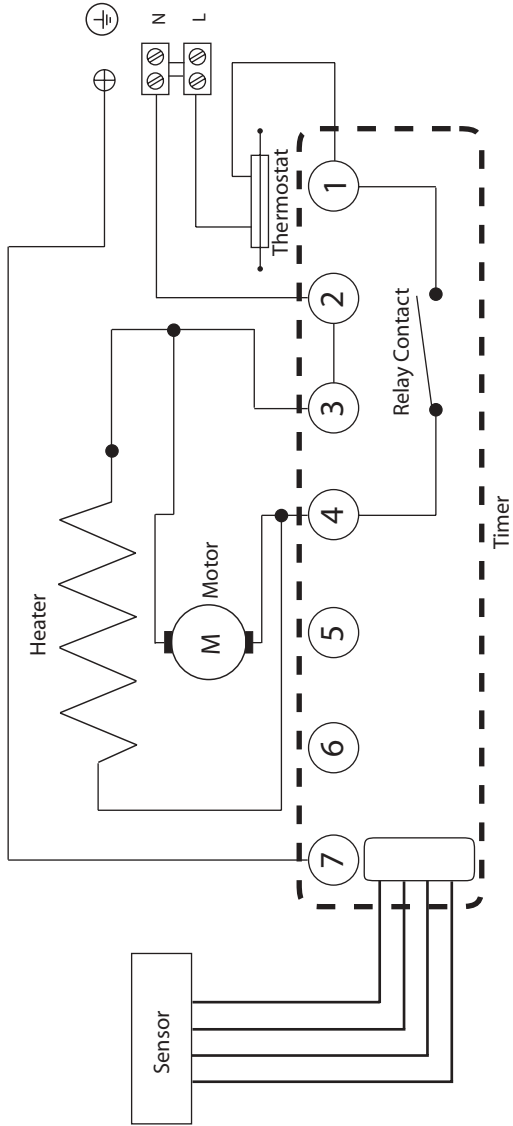


Figure 1: Wiring Diagram

## 5.0 OPERATION

- 5.1 The Handy Dri is fitted with an infrared system which detects the presence of the hands.
- 5.2 To turn the unit on place the hands 10 to 30 cm below the air nozzle and the unit will automatically start.
- 5.3 When the hands are withdrawn the unit will automatically stop.

## 6.0 MAINTENANCE

- 6.1 To keep the Handy Dri operating efficiently and to prolong the life, the inlet grill and outlet nozzle should be regularly vacuumed.
- 6.2 The outer case should be cleaned using a proprietary cleaner suitable for the surface finish.

## 7.0 SPARE PARTS

<u>Item</u>	<u>Product Code</u>
Fan Blade	95607171
Fan Enclosure A	95607172
Fan Enclosure B	95607173
Timer Assembly	95607174
Heater Assembly	95607175
Air Outlet Holder	95607176
Sensor Rubber	95607177
Motor Rubber	95611010
Air Outlet Rubber	95611011
Motor	95612022
Sensor	95612023
Thermostat	95612025
Motor Brushes	95612024

## 8.0 FAULT FINDING

**SAFETY NOTE: DISCONNECT THE ELECTRICAL SUPPLY BEFORE REMOVING THE COVER. DO NOT BYPASS ANY SAFETY CONTROLS**

SYMPTOM	POSSIBLE CAUSE	ACTION
Unit does not turn on.	<ol style="list-style-type: none"><li>1. Local switch off.</li><li>2. Local fuse blown.</li><li>3. Circuit breaker at main board off.</li><li>4. Sensor not fully located in the front cover.</li><li>5. Sensor wire disconnected.</li><li>6. Motor fuse and thermal fuse blown.</li><li>7. Thermostat faulty.</li></ol>	<ol style="list-style-type: none"><li>1. Turn local switch on.</li><li>2. Replace local fuse.</li><li>3. Re-set breaker.</li><li>4. Relocate sensor.</li><li>5. Check connections to pcb and sensor.</li><li>6. Replace motor.</li><li>7. Replace thermostat.</li></ol>
Motor runs intermittently.	<ol style="list-style-type: none"><li>1. Brushes worn.</li></ol>	<ol style="list-style-type: none"><li>1. Replace brushes.</li></ol>
Airflow is cold continuously.	<ol style="list-style-type: none"><li>1. Element fault.</li></ol>	<ol style="list-style-type: none"><li>1. Replace heating element assembly.</li></ol>
No airflow and elements cycle hot and cold.	<ol style="list-style-type: none"><li>1. Motor fuse blown.</li></ol>	<ol style="list-style-type: none"><li>1. Replace motor.</li></ol>
Unit runs continuously.	<ol style="list-style-type: none"><li>1. Reflective surface less than 250mm below sensor.</li></ol>	<ol style="list-style-type: none"><li>1. Reposition unit or reflective surface.</li></ol>



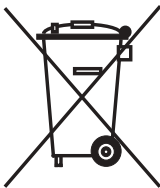
## 9.0 GUARANTEE

The Handy Dri 24 is guaranteed for a period of five years from the date of purchase provided:

1. The unit has been installed in accordance with these instructions.
2. The unit has not been tampered with and has been regularly maintained as detailed in the maintenance instructions.

The guarantee excludes normal motor brush wear and tear. This guarantee does not affect the statutory rights of the consumer.

## 10.0 Environmental Information



Old appliances contain valuable materials that can be recycled. Do not dispose of such appliances with normal domestic waste but rather by way of appropriate collecting points.

## NOTES



# Spares Stockists

For the fast and efficient supply of spares please contact the stockists listed below.

## Parts Center

PO Box 48, Tomlinson Road, Leyland, Preston, Lancashire, PR5 1JX  
Tel: 01772 819671  
[www.partscenter.co.uk](http://www.partscenter.co.uk)

## Electric Water Heating Co

2 Horsecroft Place, Pinnacles, Harlow, CM19 5BT  
Tel 0845 0553811  
Email : [sales@ewh.co.uk](mailto:sales@ewh.co.uk)

## SPD Special Product Division

Unit 9 & 10, Hexagon Business Centre, Springfield Road,  
Hayes, Middlesex UB4 0TY  
Tel: 020 8606 3567

## UK Spares Ltd

Tower Lane, Warmley, Bristol BS30 8XT.  
Tel: 0117 961 6670

## William Wilson

94 Kinning Street, Glasgow G5 8LW.  
Tel: 0141 420 1661

## Newey & Eyre Specialist Products Division

Please contact your local branch.

---

## HEATRAE SADIA

The quality name in water heating

Heatrae Sadia Heating  
Hurricane Way Norwich NR6 6EA  
[www.heatraesadia.com](http://www.heatraesadia.com)

A division of B A X I G R ● U P

Main No:	01603 420100
Main Fax:	01603 420218
Sales:	08700 603262
Service:	08701 600125
Service Fax:	08701 600181

36 00 5953  
ISSUE\_2