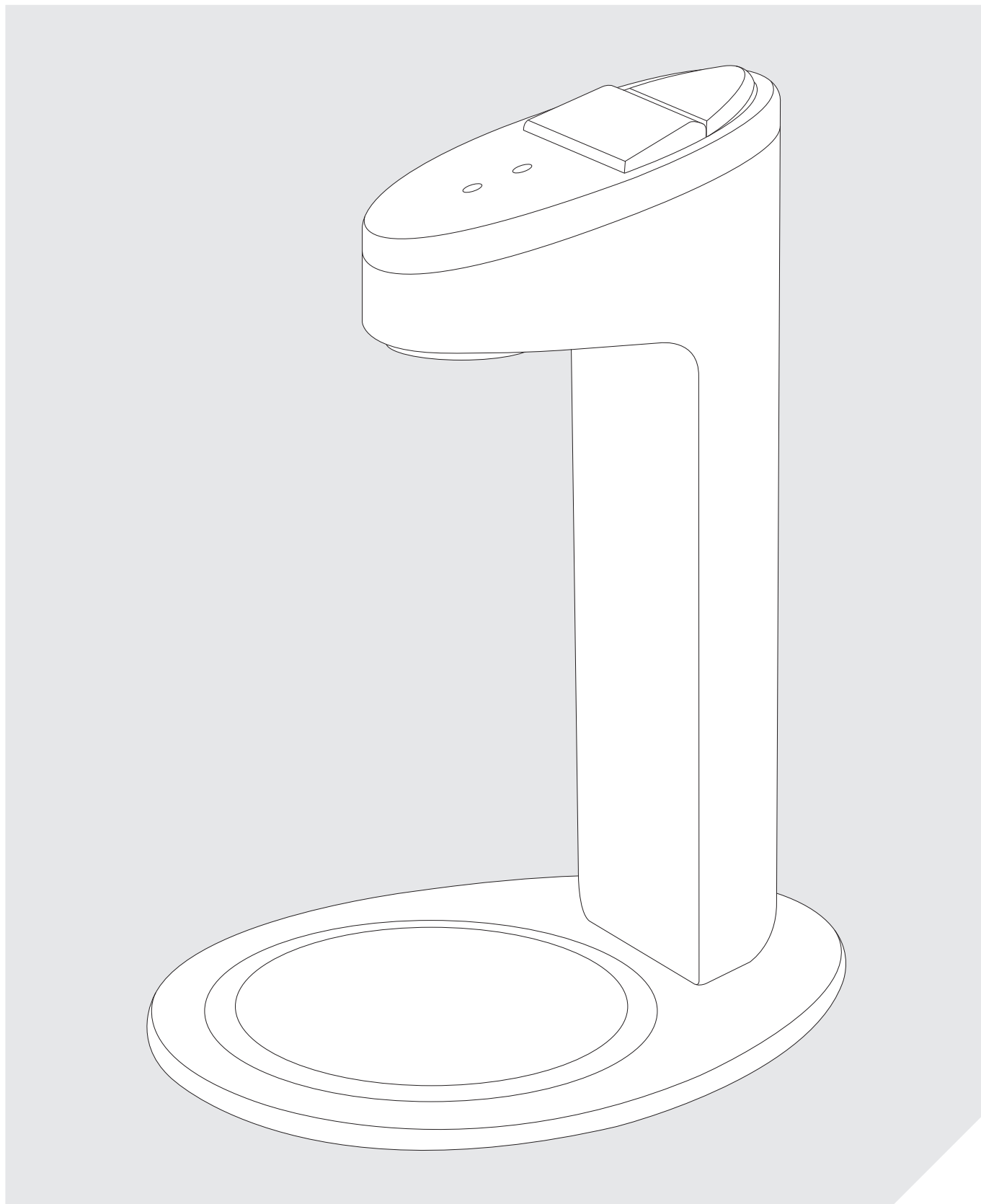


**HEATRAE SEDIA**

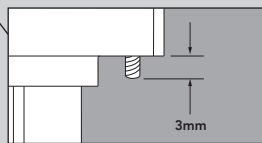
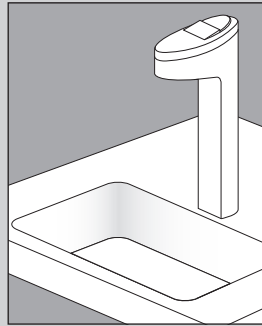
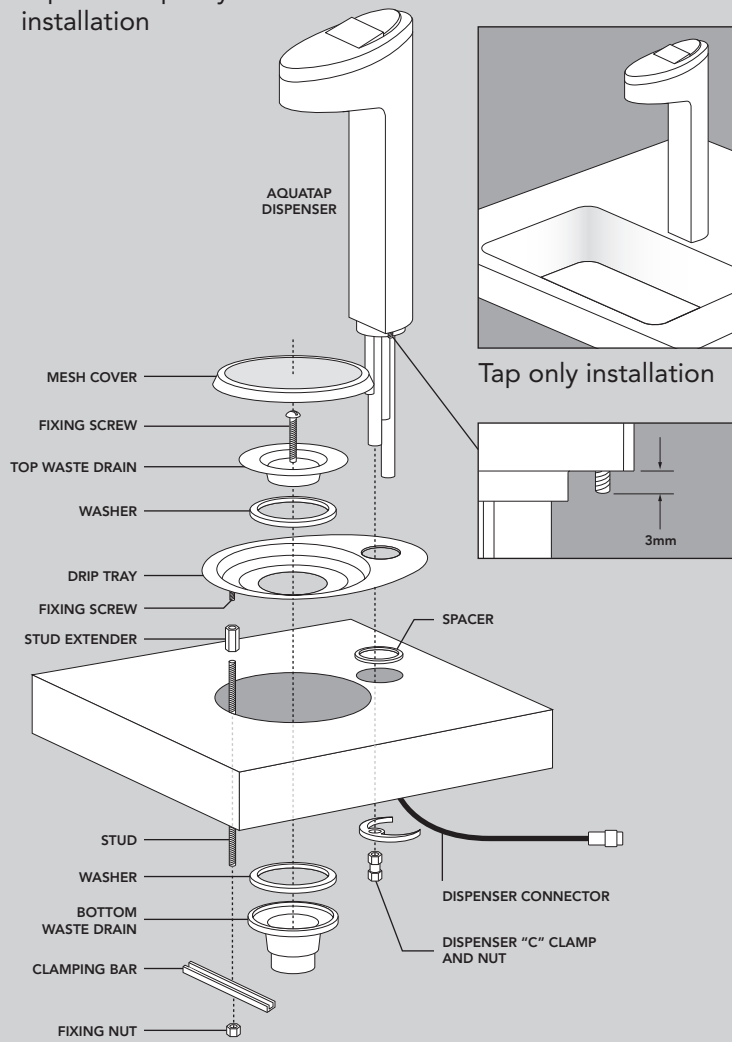
SMARTER | CLEANER | WARMER

## **Aquatap (Boil only model)** Simple installation guide



# Aquatap – tap installation

Tap with drip tray installation

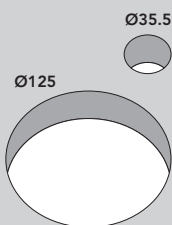


The dispensing tap supplied is suitable for mounting onto a worktop or counter surface. It should be positioned such that it discharges into a sink or drip tray.

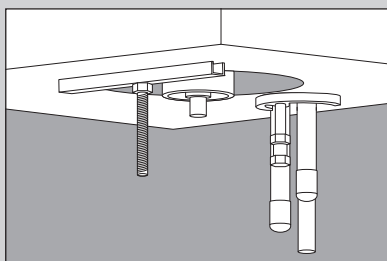
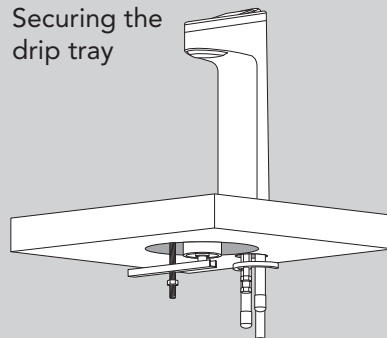
Tap only



Tap with drip tray (use template)

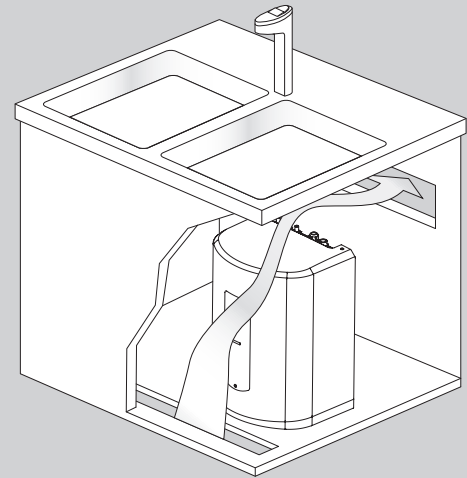


Securing the drip tray



# Heater installation

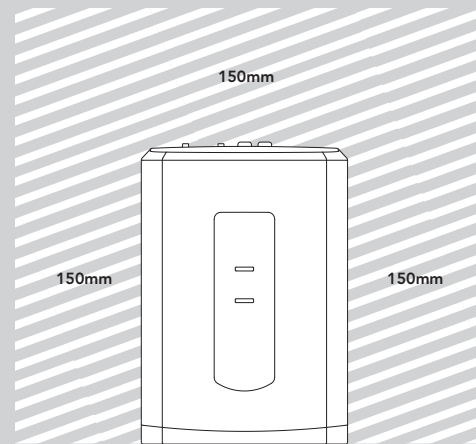
Ventilation



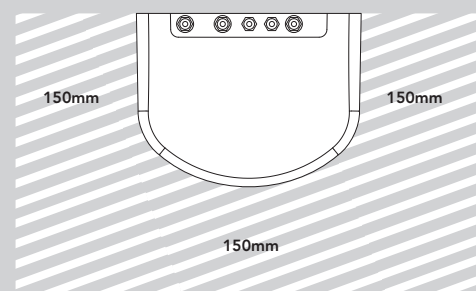
Air circulation must be provided so air can flow through the cupboard. Failure to do this may result in the Aquatap not performing correctly.

Minimum clear space requirement

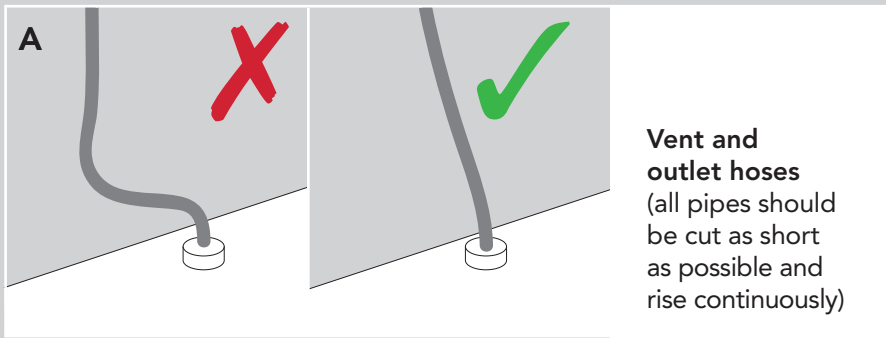
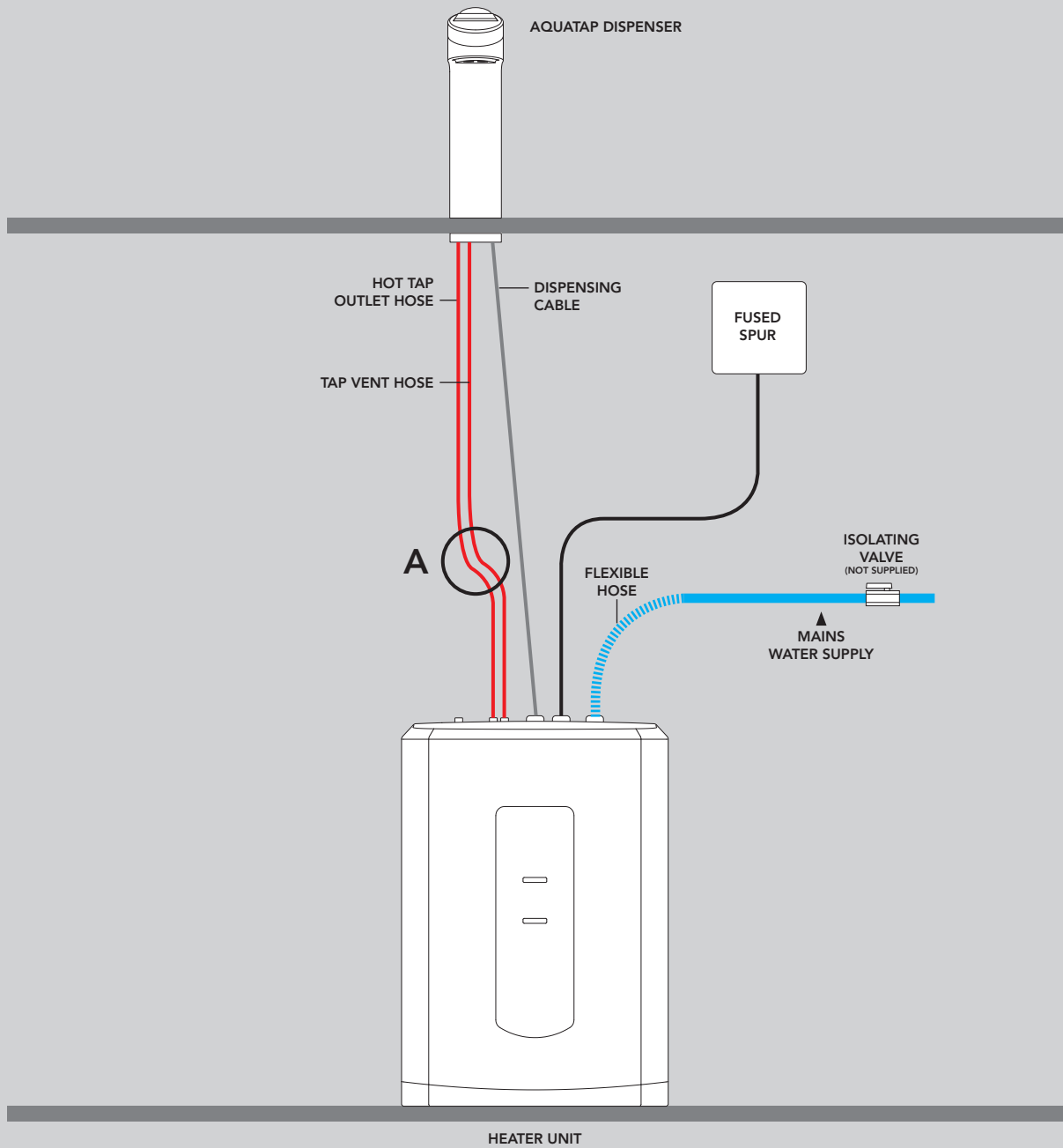
Front view



Top view



# Heater installation



# Commissioning guide

## HEATER COMMISSIONING

- Ensure that all electrical, water and vent pipe connections have been correctly made and are secure.
- Turn on the water and electrical supplies to the Aquatap heater.
- The unit is now in the 'commissioning' mode, this will take 30 minutes, during this time DO NOT use the unit or dispenser.
- Once commissioning has completed the ready light on the dispenser tap is solid and the unit can be used.
- The heater unit and dispenser tap should be flushed to remove any installation residue.
- On first use there may be air in the pipework, this will clear after a few uses.

## USING THE DISPENSER

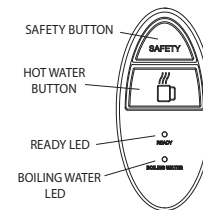
When the Aquatap is ready to dispense water the LED marked 'ready' will illuminate. To get a flow of water:

- Press the button marked 'Safety' (the safety light will flash).
- Press and hold the red hot water button (the safety light will illuminate solid).
- Take the required amount of boiling water then release the red button (the safety light will go off).
- If you wish to dispense more boiling water return to the first step.

## EXPLANATION TO THE USER

- After commissioning the following should be explained to the user:
  - Correct operation of the Aquatap water heater and dispensing tap.
  - The position of the water and electrical isolation points.
  - How to identify a malfunction of the unit.
  - Necessity for regular maintenance.
- The commissioning record in the full operating and maintenance instructions should be completed and then these left with the user for future reference.

COMMISSIONING  
00:30



**IF FURTHER PRODUCT DETAILS ARE REQUIRED THE FULL OPERATING AND MAINTENANCE MANUAL SHOULD BE REFERRED TO.**