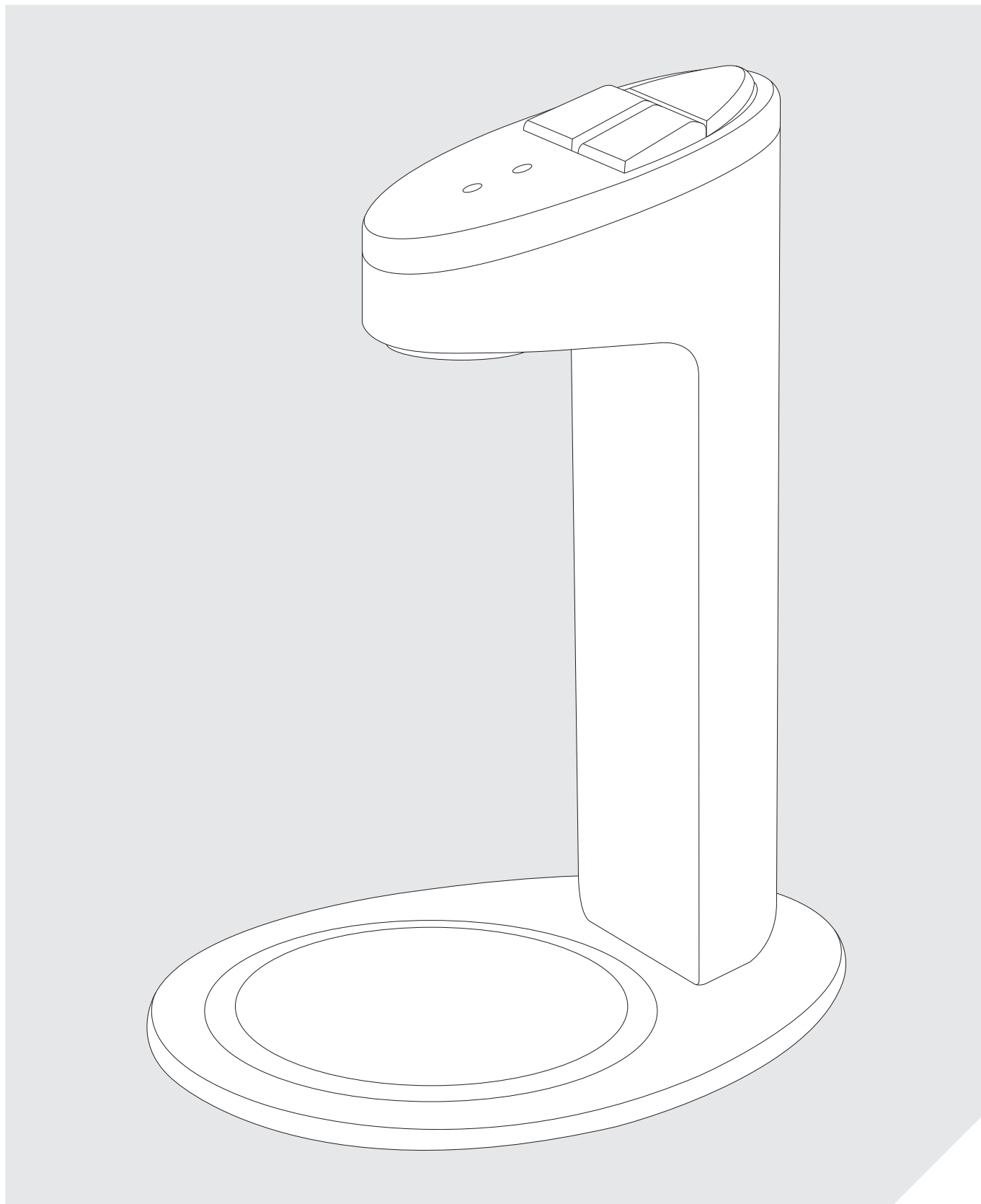


HEATRAESADIA

SMARTER | CLEANER | WARMER

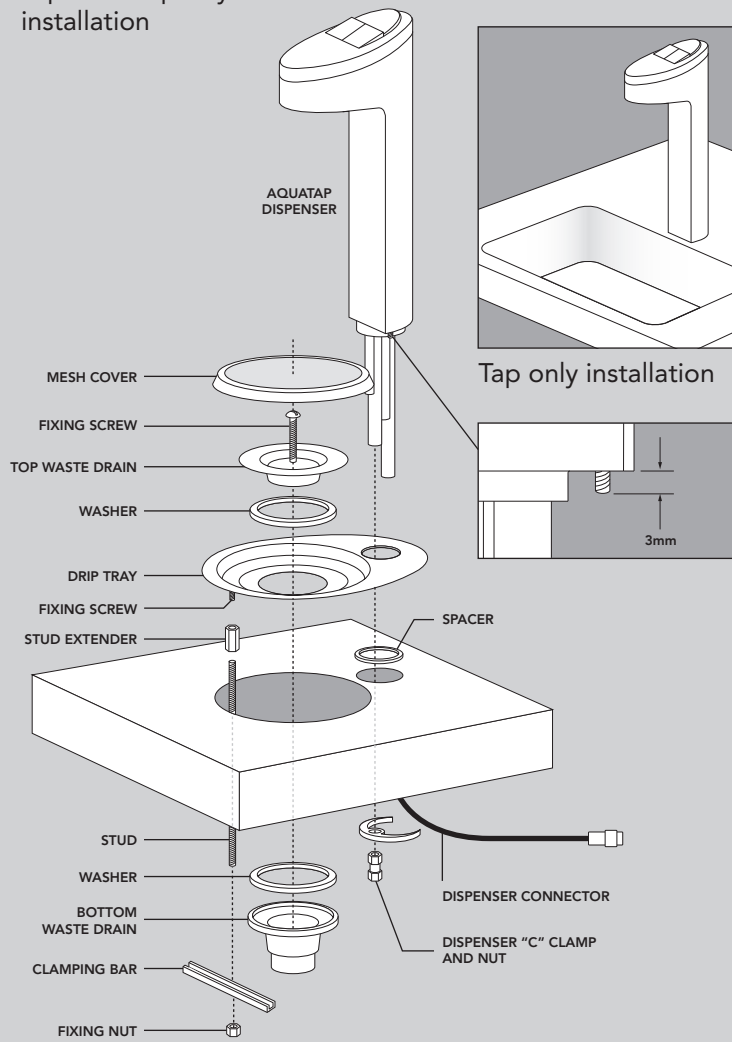
Aquatap (Boil and Chill / Boil and Ambient models)

Simple installation guide



Aquatap – tap installation

Tap with drip tray installation

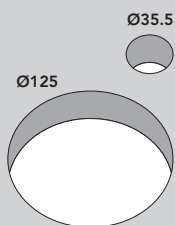


The dispensing tap supplied is suitable for mounting onto a worktop or counter surface. It should be positioned such that it discharges into a sink or drip tray.

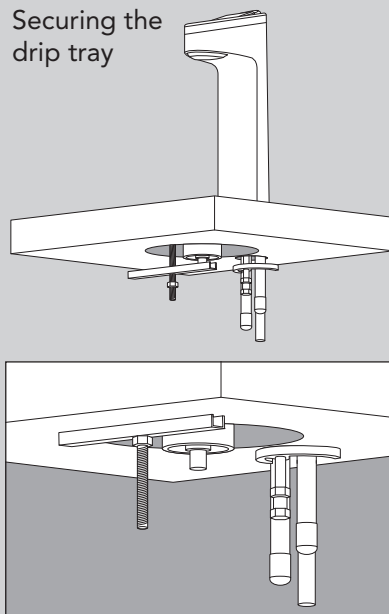
Tap only



Tap with drip tray (use template)

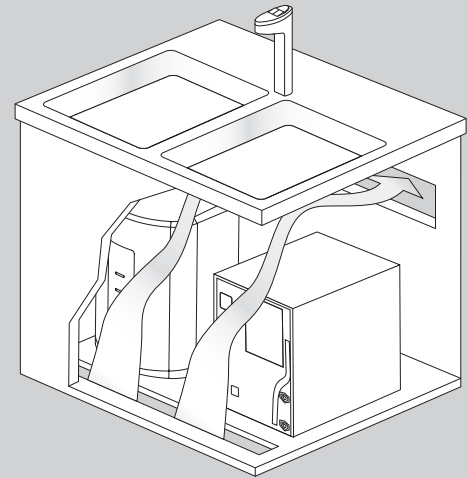


Securing the drip tray



Heater / chiller installation

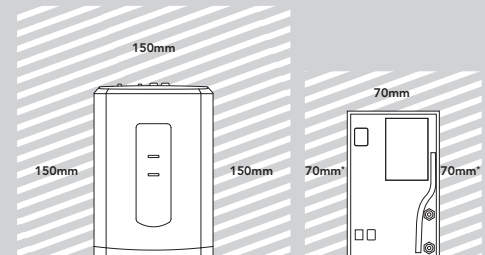
Ventilation



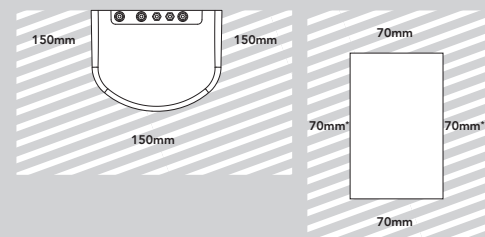
Air circulation must be provided so air can flow through the cupboard. Failure to do this may result in the Aquatap not performing correctly.

Minimum clear space requirement

Front view

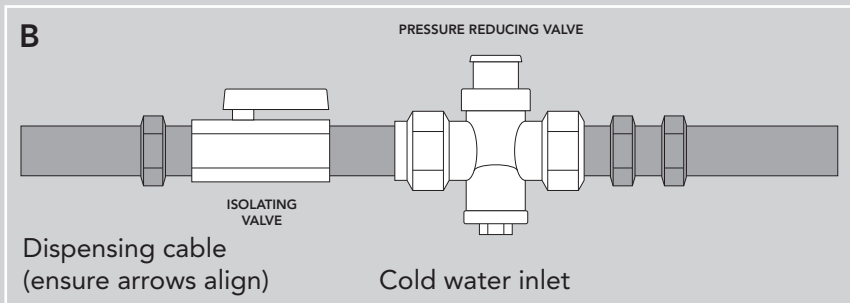
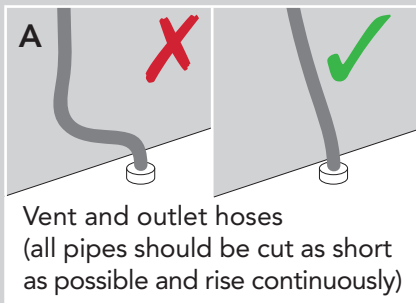
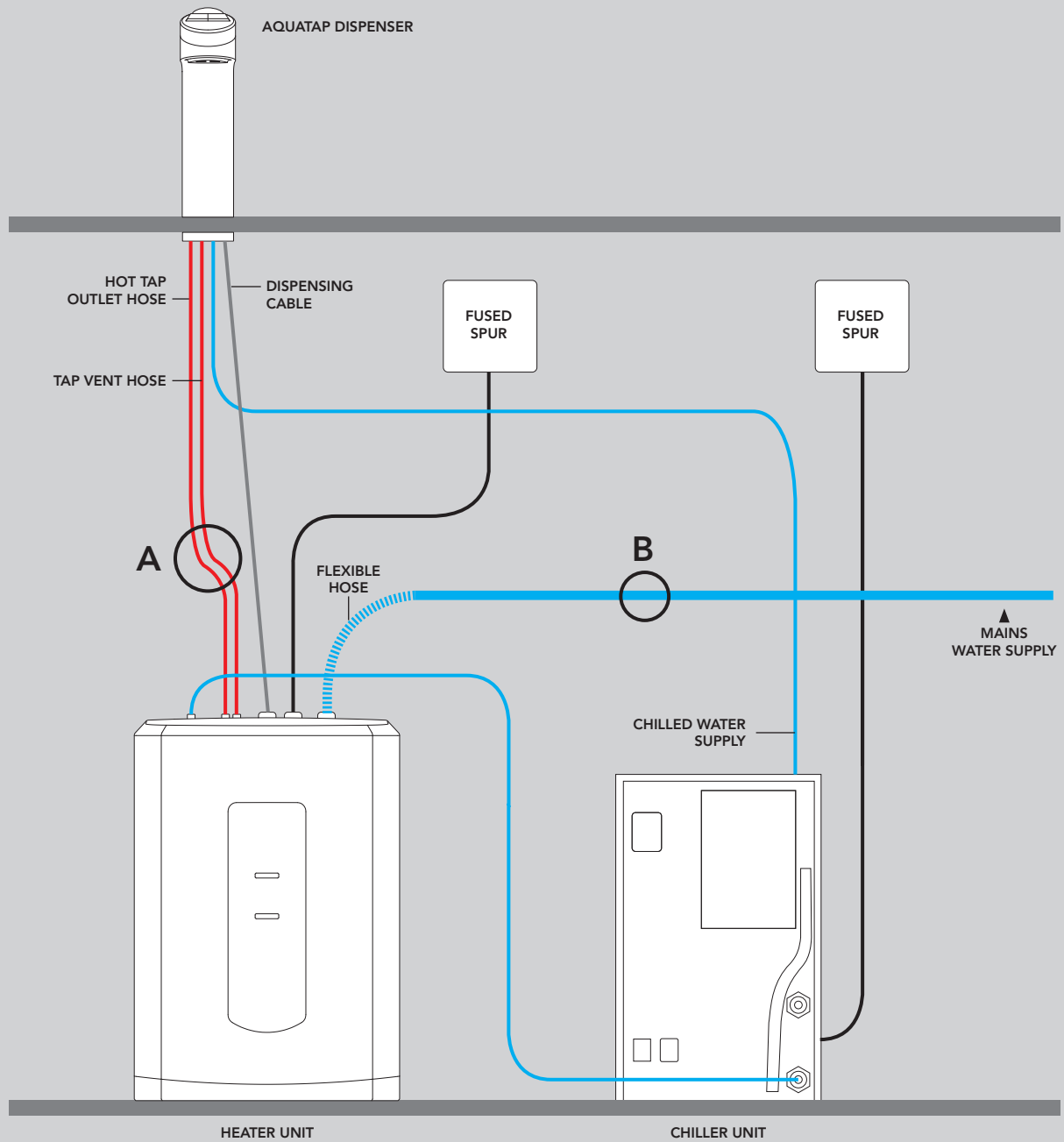


Top view



*Minimum of 150mm clearance is required between the two units when installing both in one cupboard.

Heater / chiller installation

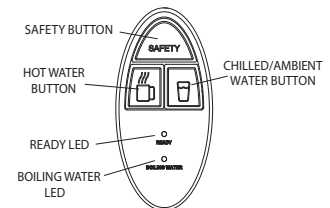


Commissioning guide

HEATER COMMISSIONING

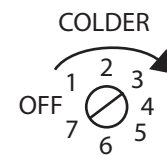
- Ensure that all electrical, water and vent pipe connections have been correctly made and are secure.
- Turn on the water and electrical supplies to the Aquatap heater.
- The unit is now in the 'commissioning' mode, this will take 30 minutes, during this time DO NOT use the unit or dispenser.
- Once commissioning has completed the ready light on the dispenser tap is solid and the unit can be used.
- The heater unit and dispenser tap should be flushed to remove any installation residue.
- On first use there may be air in the pipework, this will clear after a few uses.

COMMISSIONING
00:30



CHILLER COMMISSIONING

- DO NOT switch on the electrical supply until the unit and ice bank have been filled with water and checked for leaks.
- Fill the ice bank by pushing the supplied 8mm tube from the Aquatap into the connection marked 'fill ice bank' and by pressing the cold button on the tap. This will let water enter the ice bank container. As the container fills the clear tube at the rear of the unit will start to fill. When it reaches maximum fill level release the tap button. Remove the 8mm tube and insert the red 'T' plug, push the 8mm tube water supply into the connection marked 'in water btm'.
- Ensure that all electrical, water and vent pipe connections have been correctly made and are secure.



USING THE CHILLER

- Turn on the water supply and operate the chilled/ambient water button on the dispenser tap until water flows smoothly from the outlet. Flow will initially be erratic as air is purged from the cooling coil. It is recommended that water is allowed to flow for a few minutes to flush through any installation residue.
- Adjust the thermostat by turning the adjustment screw clockwise with a small screwdriver (thermostat located on rear panel of chiller) to position 3 or 4.
- Switch on electrical supply, check compressor and cooling fan operate. Allow the unit to run for several minutes to cool the stored water.

USING THE DISPENSER

When the Aquatap is ready to dispense water the LED marked 'ready' will illuminate. To get a flow of water:

- Press the button marked 'Safety' (the safety light will flash).
- Press and hold the red hot water button (the safety light will illuminate solid).
- Take the required amount of boiling water then release the red button (the safety light will go off).
- If you wish to dispense more boiling water return to the first step.

To dispense chilled water:

- Press and hold the blue chilled water button.
- Take the required amount of chilled water and release the blue button.
- If you wish to dispense more chilled water return to the first step.

NB – If both the hot and chilled buttons are pressed simultaneously the chilled button will always take preference as a safety precaution.

EXPLANATION TO THE USER

- After commissioning the following should be explained to the user:
 - Correct operation of the Aquatap water heater and dispensing tap.
 - The position of the water and electrical isolation points.
 - How to identify a malfunction of the unit.
 - Necessity for regular maintenance.
- The commissioning record in the full operating and maintenance instructions should be completed and then these left with the user for future reference.

IF FURTHER PRODUCT DETAILS ARE REQUIRED THE FULL OPERATING AND MAINTENANCE MANUAL SHOULD BE REFERRED TO.