

HOTFLO

PACK U5

Fitting Instructions

PACK CONTENTS

Expansion Vessel
Check Valve

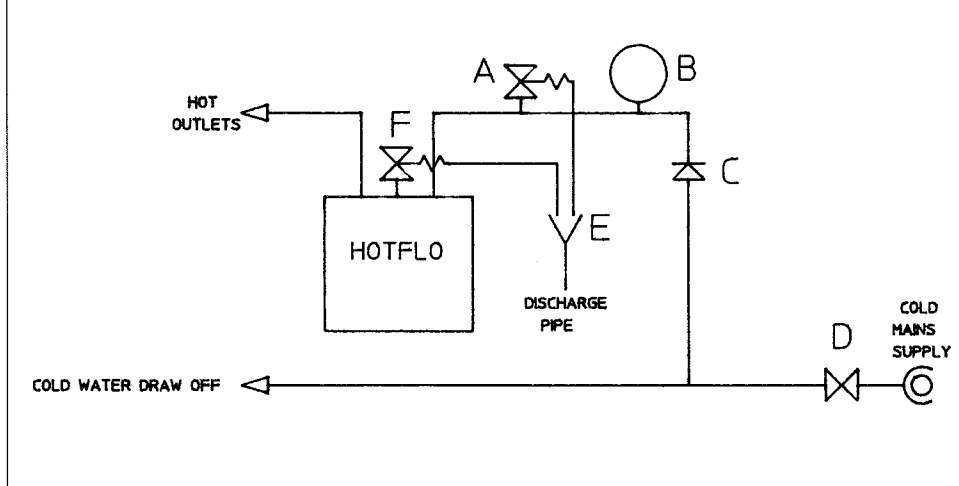
IMPORTANT

1. This pack should be used if it is not possible to accommodate expanded water within the pipework to the heater (refer to Installation and User Instructions supplied with the Hotflo heater for full details).
2. If the cold water mains supply exceeds 4.1 bar (60 psi) Accessory Pack U1 (code no 95 970 352) should also be used. Failure to do so will result in discharge from the Pressure (Expansion) Relief Valve.
3. These instructions should be read in conjunction with the Installation and User Instructions supplied with the Hotflo water heater.

INSTALLATION

1. The controls must be installed in the cold water mains supply to the heater in the order shown in the diagram below. Refer to the Installation and User Instructions supplied to determine which are necessary.
2. The discharge connection on the Pressure (Expansion) Relief Valve must be connected to a discharge pipe. Full Discharge Pipe Requirements are given in the Installation and User Instructions supplied with the heater. It is permissible to join the Pressure (Expansion) Relief Valve discharge pipe to that from the Temperature/Pressure Relief Valve (if fitted).
3. Commissioning and Maintenance instructions are given in the Installation and User Instructions supplied with the Hotflo unit.

SCHEMATIC CONNECTION DIAGRAM



KEY TO DIAGRAM

- | | |
|---|---|
| A. Pressure (Expansion) Relief Valve (supplied with Hotflo heater pack) | D. Isolating Valve (not supplied) |
| B. Expansion Vessel | E. Discharge funnel (tundish not supplied) |
| C. Check Valve | F. Temperature/Pressure Relief Valve (not supplied) |