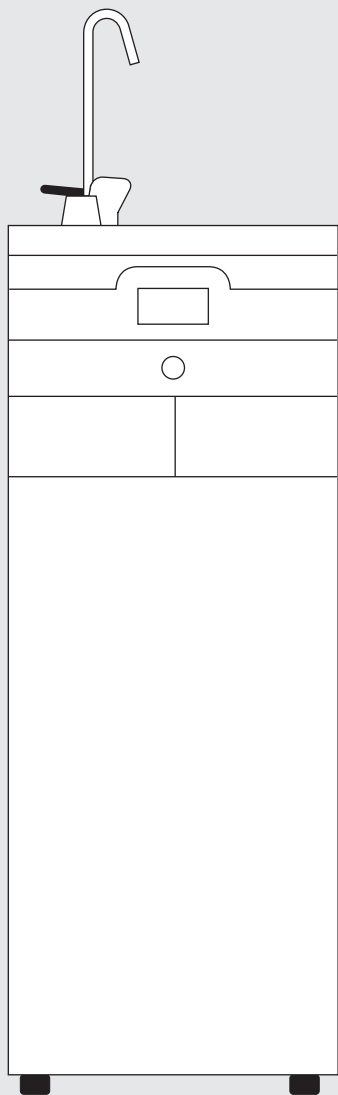


HEATRAE SEDIA

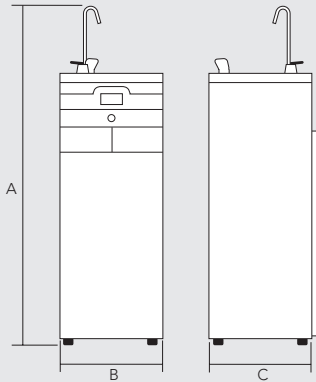
SMARTER | CLEANER | WARMER

SuperChill Technical Data

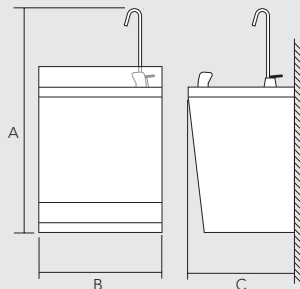


SuperChill

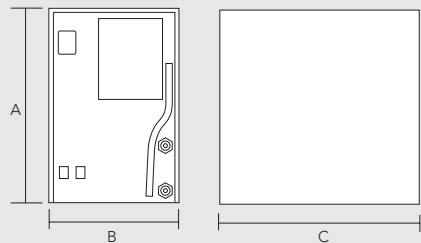
Specification



SuperChill 30F



SuperChill 25W



SuperChill 30B

DIMENSIONS AND PERFORMANCE

| Model | SuperChill 30F | SuperChill 25W | SuperChill 30B |
|-------------------------------------|-------------------|-------------------|----------------------------|
| A - Height (mm) | 1230 | 775 | 405 |
| B - Width (mm) | 325 | 432 | 255 |
| C - Depth (mm) | 340 | 360 | 400 |
| Product Code | 95:200:225 | 95:200:226 | 95:200:227 |
| Weight (kg empty) | 26 | 22 | 22 |
| Minimum operating pressure (bar) | 1 | 1 | 1 |
| Maximum operating pressure (bar) | 3.5 | 3.5 | 3 |
| Electrical rating | 180 @ 230/240V | 207 @ 240V | 180W @ 230V 196W @ 240V |
| Compressor power (HP) | 1/10 | 1/6 | 1/10 |
| Chilled water output (l/hour) | 30 | 25 | 30 |
| Nominal water outlet temp (°C) | 10 | 10 | 10 |
| Refrigerant gas / gas charge weight | R134A / 75g | R134A / 100g | R134A / 90g |
| Min. operating temp (°C) | 5 | 5 | 10 |
| Max. operating temp (°C) | 35 | 35 | 45 |

SuperChill Specification

Components:

- SuperChill water chiller
- 3 pin plug and 2m cable
- Pipe and connections
- Pressure reducing valve

Chilling System:

SuperChill 30F – 5L, grade 304 stainless steel chilling tank.
 SuperChill 25W – Tubular direct chilling coil, grade 304 stainless steel.
 SuperChill 30B – Hermetic ice bank direct cooling system.

Installation Requirements/ Limitations:

The chiller must be fitted with the supplied 3.0 bar pressure reducing valve.
 Adequate ventilation must be allowed through the chiller cabinet.
 If the water chiller has been laid down or turned upside down during transit or installation it should be allowed to stand for 8 hours in an upright position before commissioning.

Any inline filter purchased with the SuperChill unit should be incorporated in the cold water supply to the unit.

National wiring rules may prevent this type of unit being installed in bathrooms.

Ensure the unit is vertically mounted on a level surface, which should be of sufficient strength to hold the weight of the unit (see table opposite).

Enough space should be left either side of the unit for adequate ventilation, the sides should be a minimum of 60mm from any wall or partition.

The water chiller must be installed inside a building, **DO NOT** install outside or in a position where it will be effected by the weather.

Do not install the unit where it may be subject to extreme temperatures (see min/max operating temp).

Plumbing Connections:

Inlet connection 8mm female push-fit. An 8mm x 3/8" male adaptor is supplied for connection to fixed piping. Outlet connection to outlet tap 6mm female push-fit. 6mm outside diameter flexible pipe and insulation supplied.

Water Supply:

The mains water supply pressure must be a minimum of 1.0 bar and the flow must be more than 2.0 l/min.

The pressure reducing valve (supplied) must be fitted to the water supply to the chiller to ensure the supply does not exceed 3.0 bar.

It is recommended that a WRAS listed isolating valve is incorporated in the water supply to the chiller.

Electrical Supply:

The appliance must be earthed. It is suitable for a.c. supply only. Disconnect the electrical supply before accessing the cabinet. Installation must be in accordance with the current I.E.E. Wiring Regulations. The unit is supplied fitted with a 2m 3 core 1.5mm² flexible cable. The electricity supply should be fused 3 Amp. Connection to the electricity supply must be via a double pole isolating switch with a contact separation of at least 3mm in both poles.

Maintenance:

Little maintenance is required, however the following actions should be carried out periodically to ensure efficient operation.

1. Exterior cleaning
2. Interior cleaning
3. Disinfecting
4. Emptying the ice bank container (SuperChill 30B)

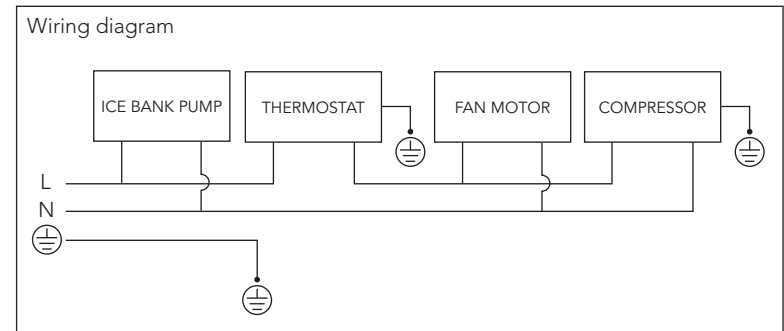
NOTE: Switch off and disconnect the electrical supply before removing the casing for an internal maintenance.

Approvals:

WRAS Listed.

Warranty:

The SuperChill water chiller is covered for a period of two years from the date of purchase.



DRINKING WATER SOLUTIONS

SPECIFICATION ADVICE HOTLINE

t | 01603 420220 e | specifier@heatraesadia.com

AFTER SALES SERVICE

t | 0344 871 1535 e | heatraesadiaservice@heateam.co.uk

w | heatraesadia.com



Our nationwide network of Customer Support engineers

Heatrae Sadia has its very own dedicated nationwide network of highly trained customer support engineers so you can have peace of mind we're always here to help.

PRODUCT RANGE

Full specification details on all our products are available to download from our website.

To support our corporate responsibility and sustainability charters and reduce our printed material, we encourage you to download product brochures from our website.

In designing these files we have taken into account the need to access data on screen.

If you would like to receive a printed copy of our full product catalogue please call our literature hotline on 01603 420127.

Heatrae Sadia may introduce modifications to their products from time to time. Consequently, the details given in this brochure are subject to alteration without notice.

Please follow us online:



Please recycle this product once you have finished with it.

PN 95 900 002 Issue 2

BJN 205373-040

© Heatrae Sadia 2016